

ROCKDALE COUNTY BOARD OF EDUCATION
 954 NORTH MAIN STREET
 CONOVERS, GEORGIA 30012

HERITAGE HIGH SCHOOL
 ADDITION AND RENOVATIONS
 2400 GRANVILLE ROAD
 CONOVERS, GEORGIA 30094

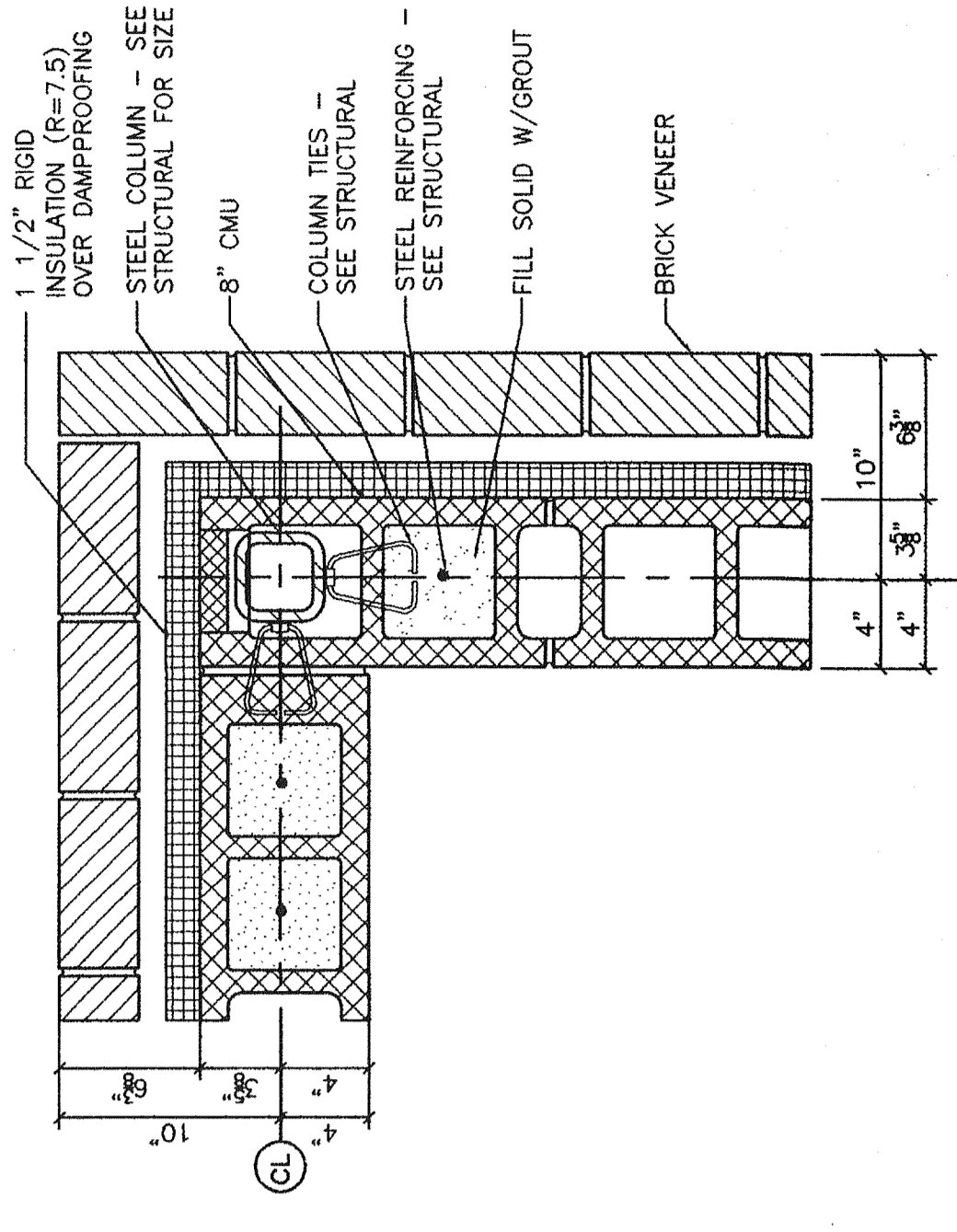
EDITION
 BIDDING
 8/4/2009
 ADDENDUM #1
 8/20/2009

FRAMER NO. 209059
 DRAWN BY: [Name]
 CHECKED BY: [Name]
 APPROVED BY: [Name]
 PROJECT: ALL SEE RECORD
 LINDSAY PODES ASSOC.
 ARCHITECTS & ASSOCIATES, INC.

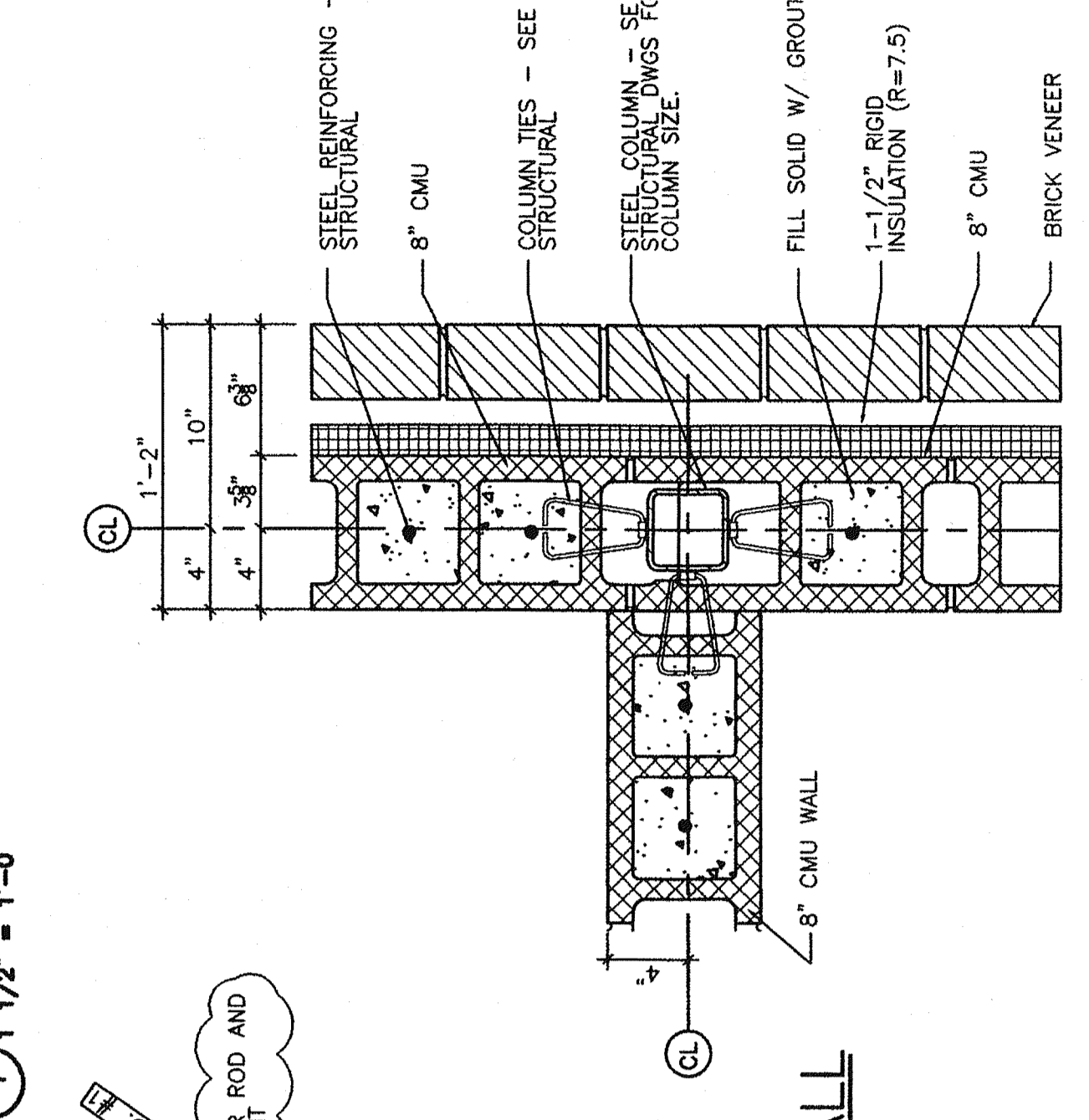
FIRE PROTECTION DETAILS

A002

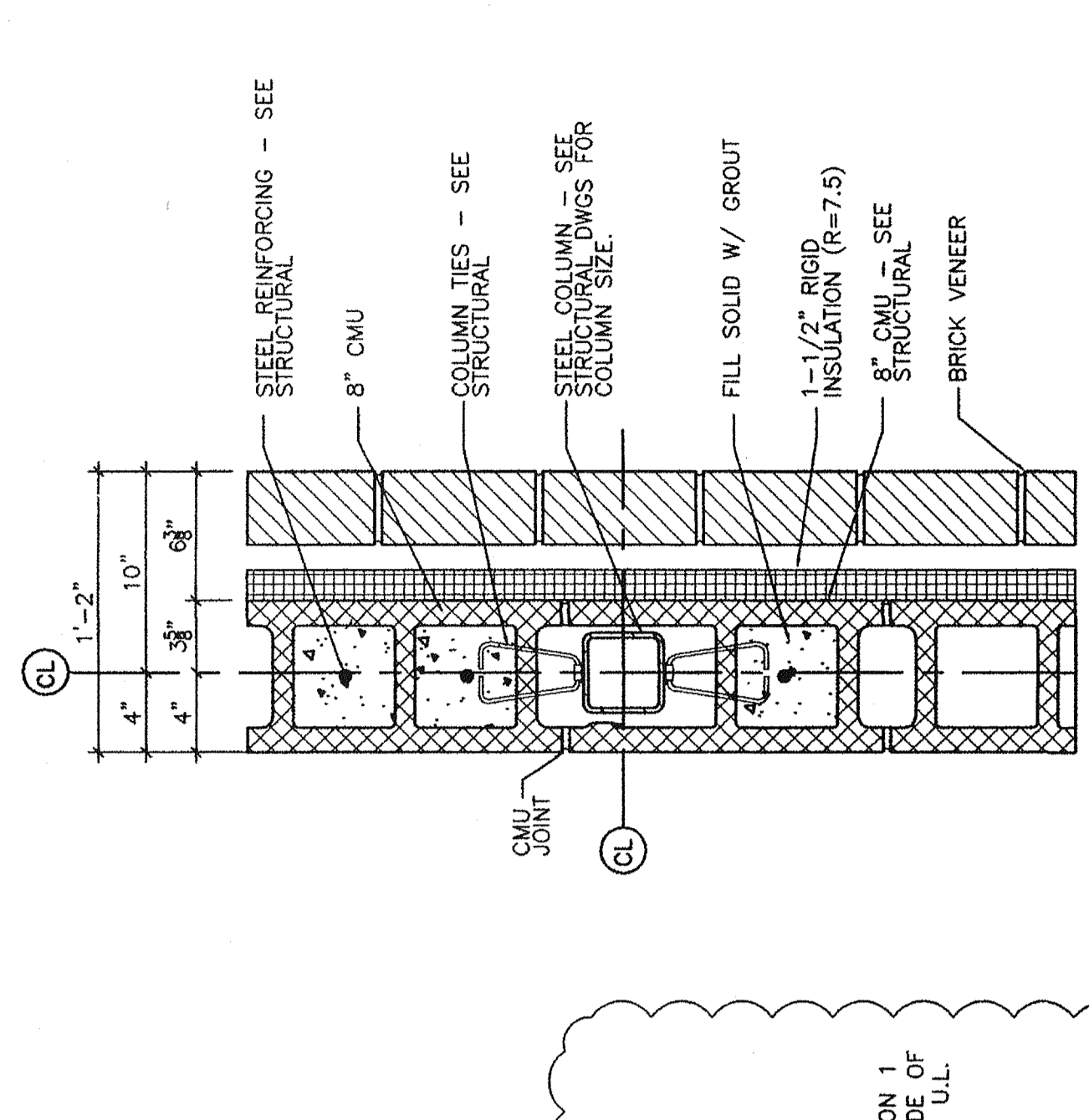
NOTE: ENTIRE SHEET RE-ISSUED



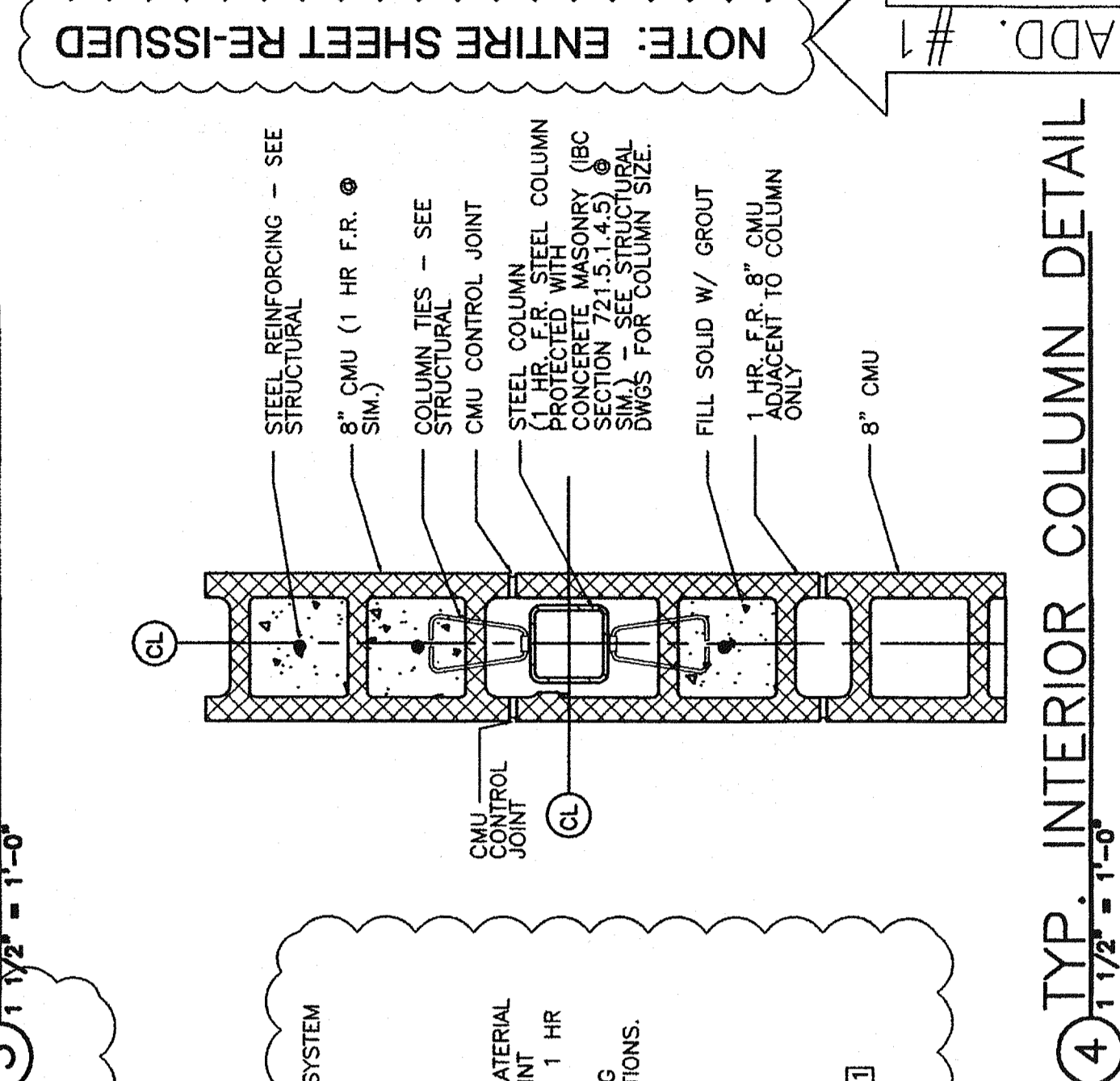
1. TYP. INTERIOR COLUMN DETAIL @ CORNER



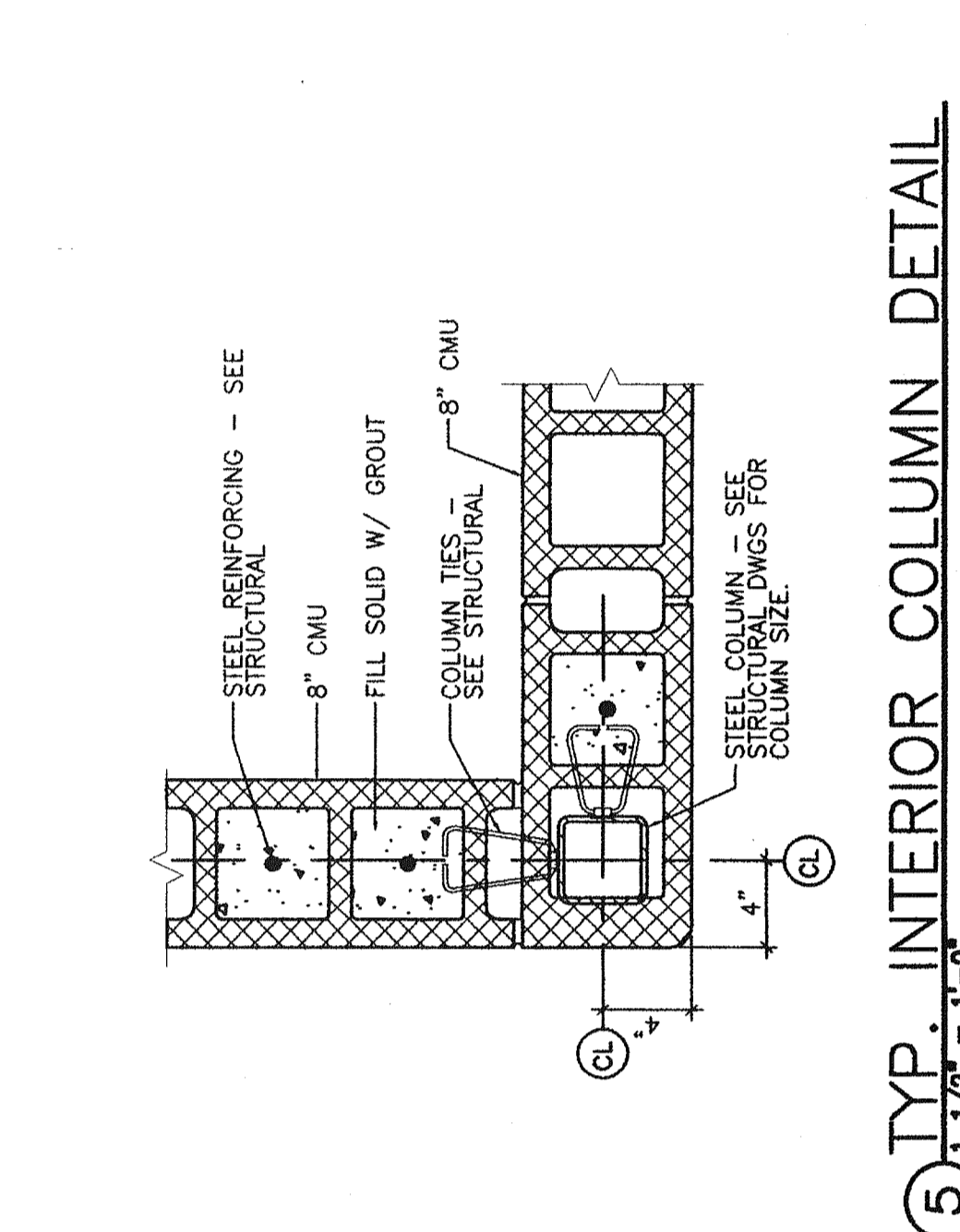
2. TYP. EXTERIOR COLUMN DETAIL



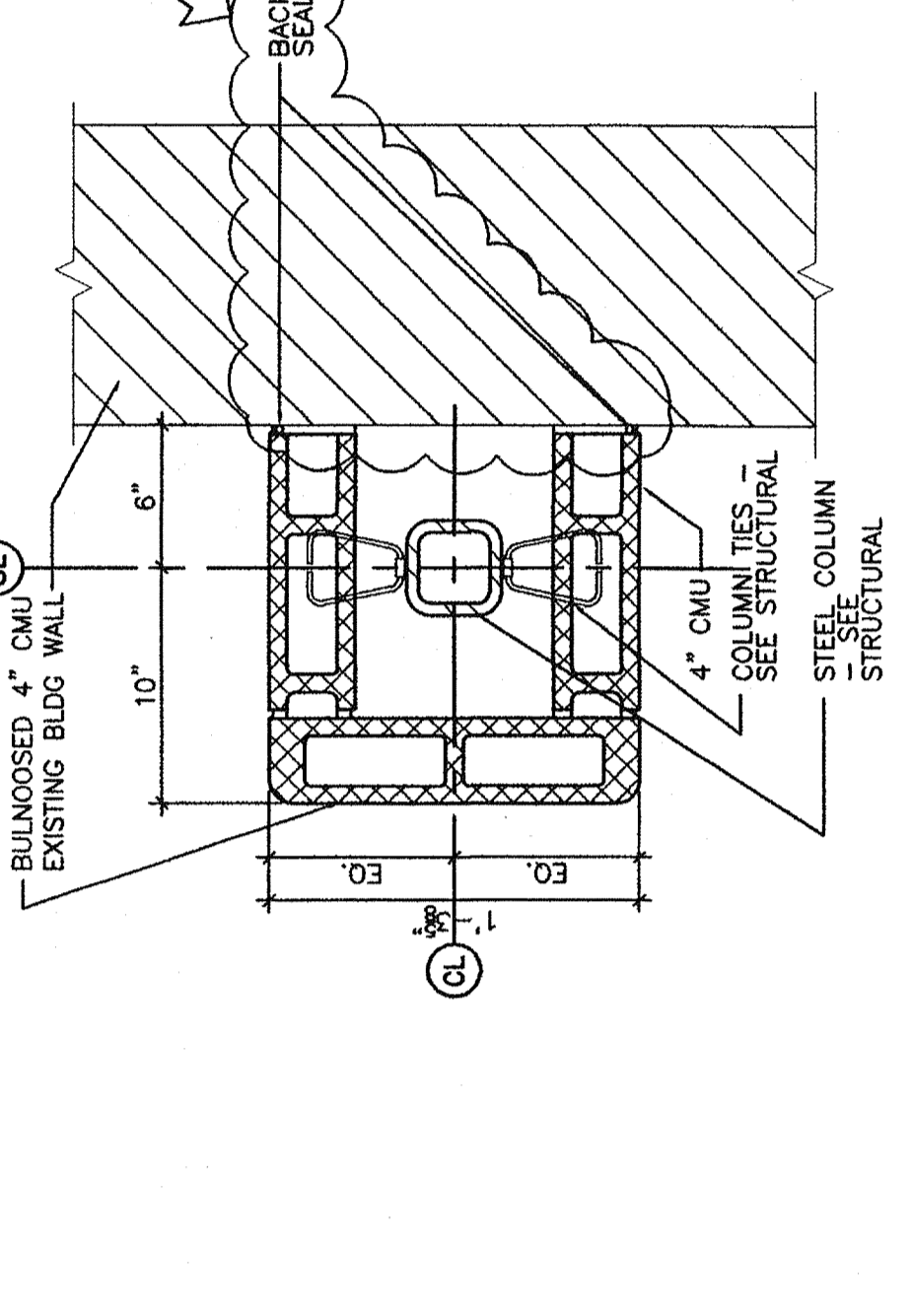
3. TYP. EXTERIOR COLUMN DETAIL



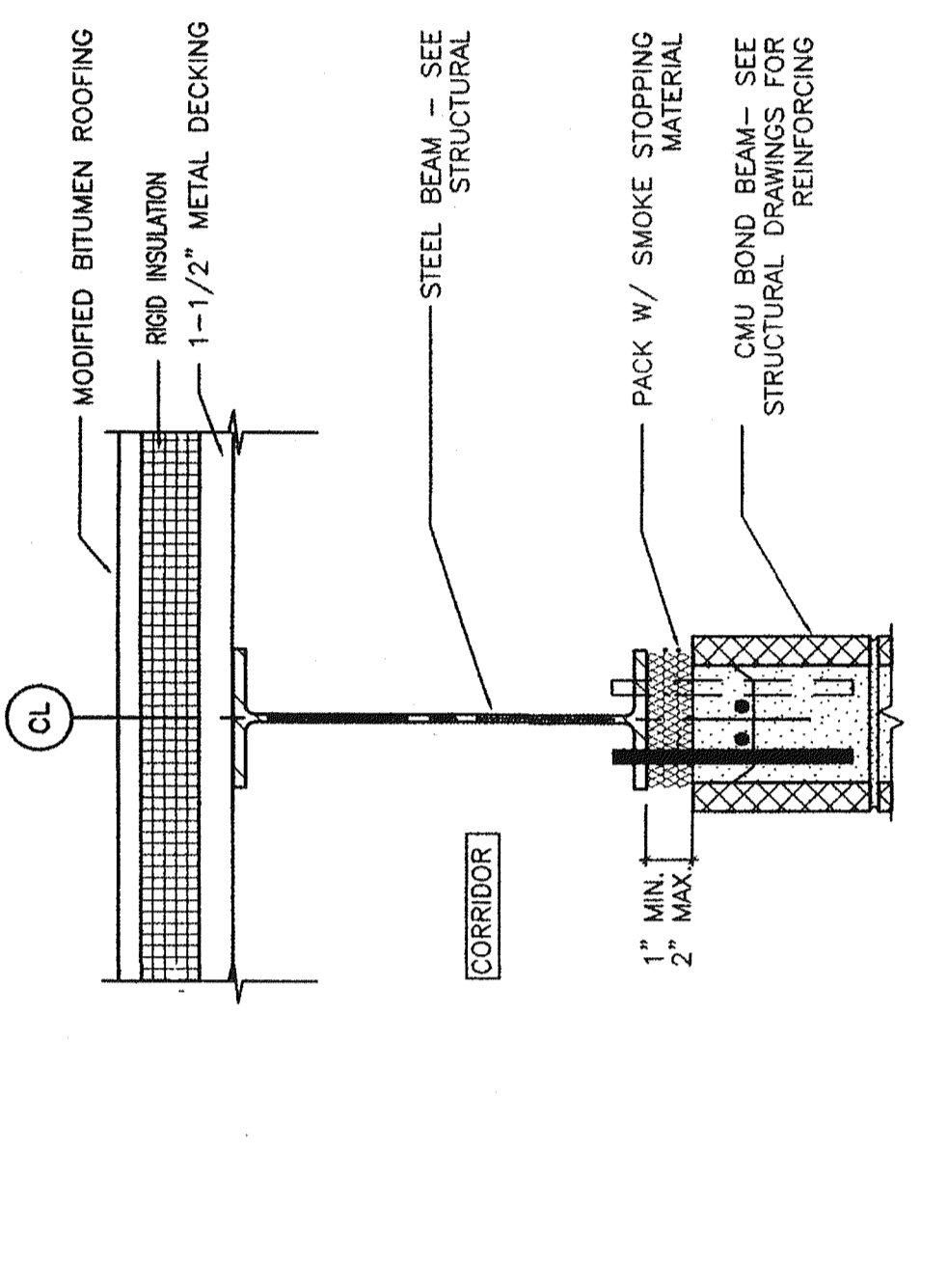
4. TYP. INTERIOR COLUMN DETAIL



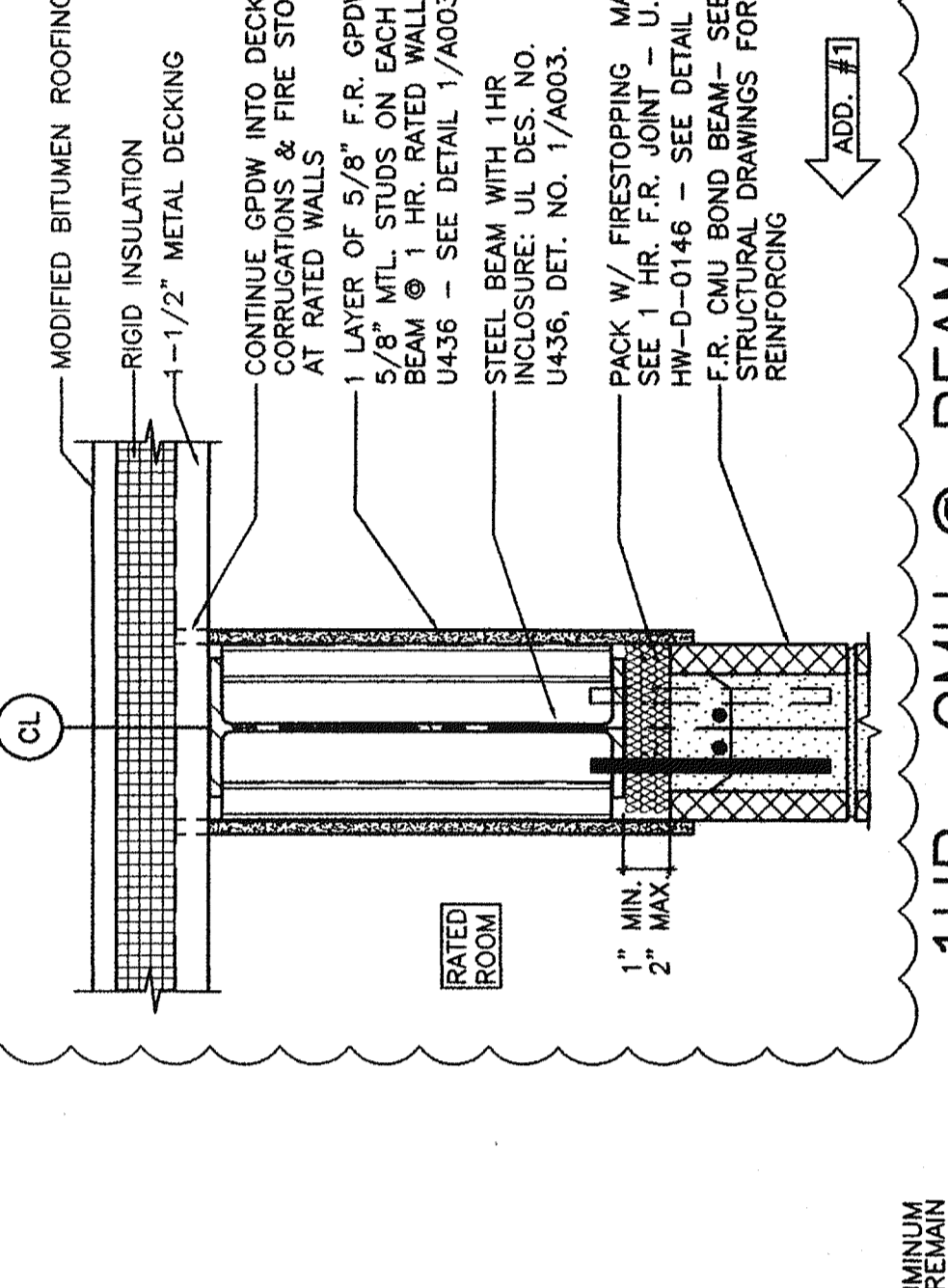
5. TYP. INTERIOR COLUMN DETAIL



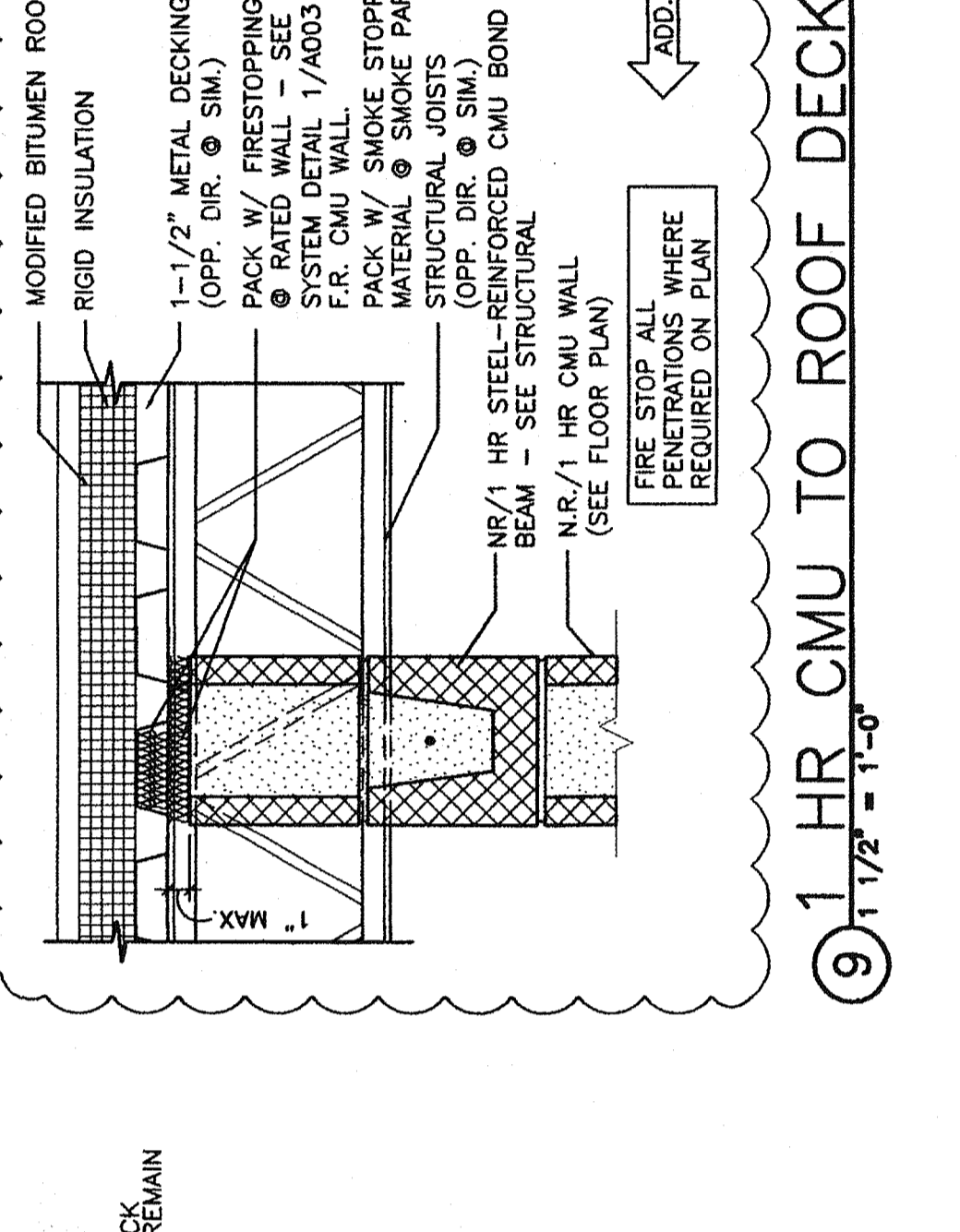
6. COLUMN DET @ EXIST. WALL



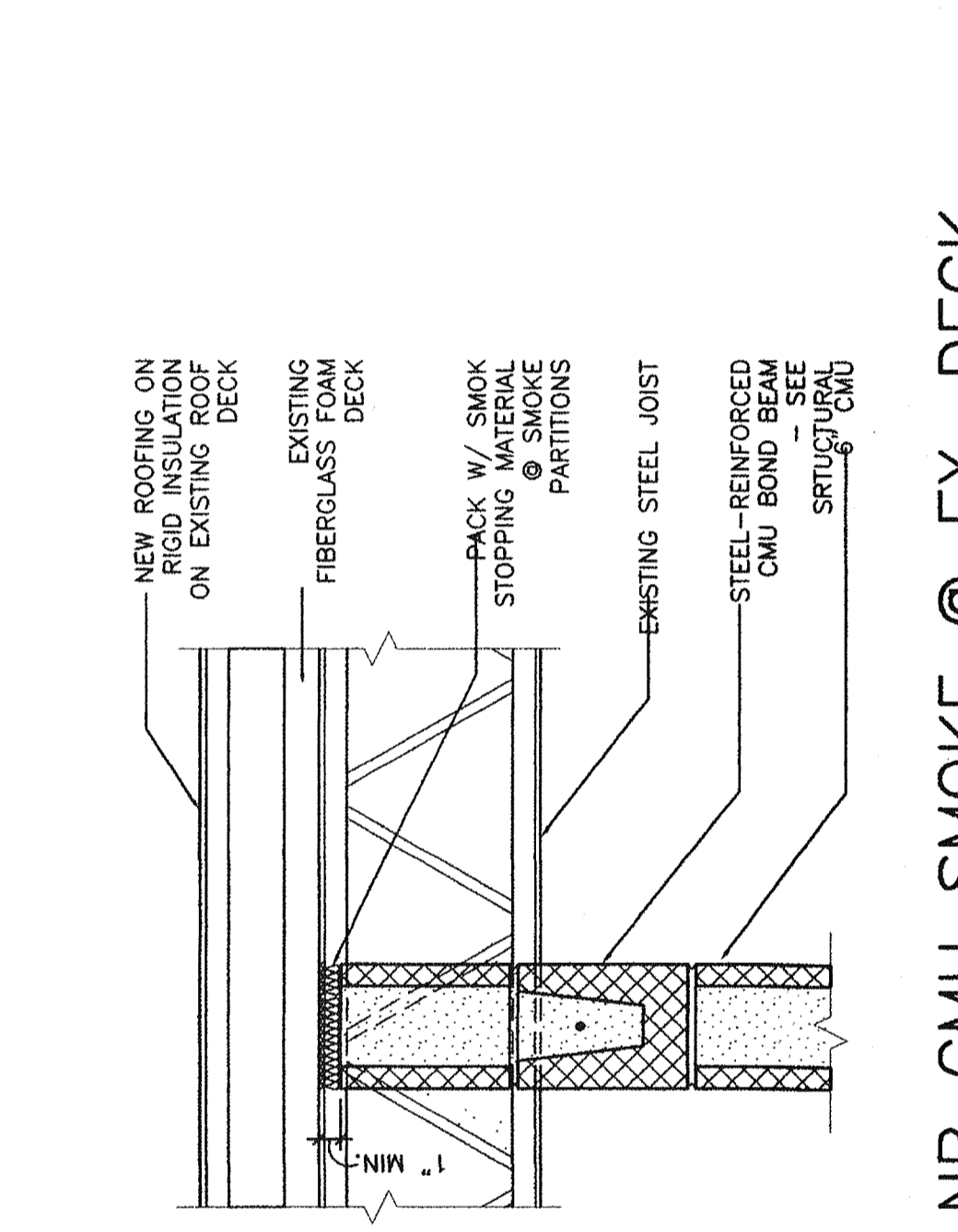
7. NR CMU SMOKE @ BEAM



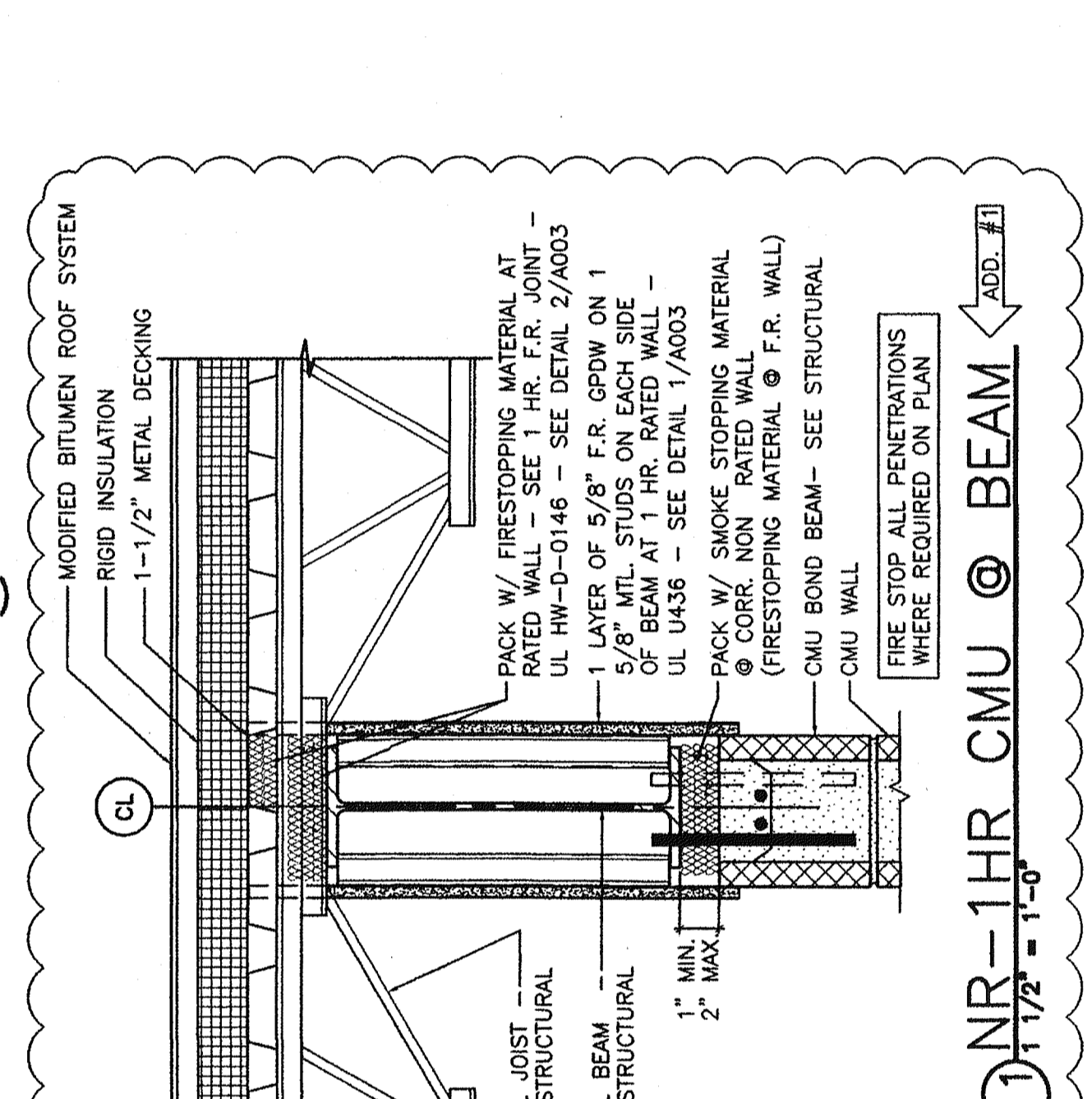
8. 1HR CMU @ BEAM



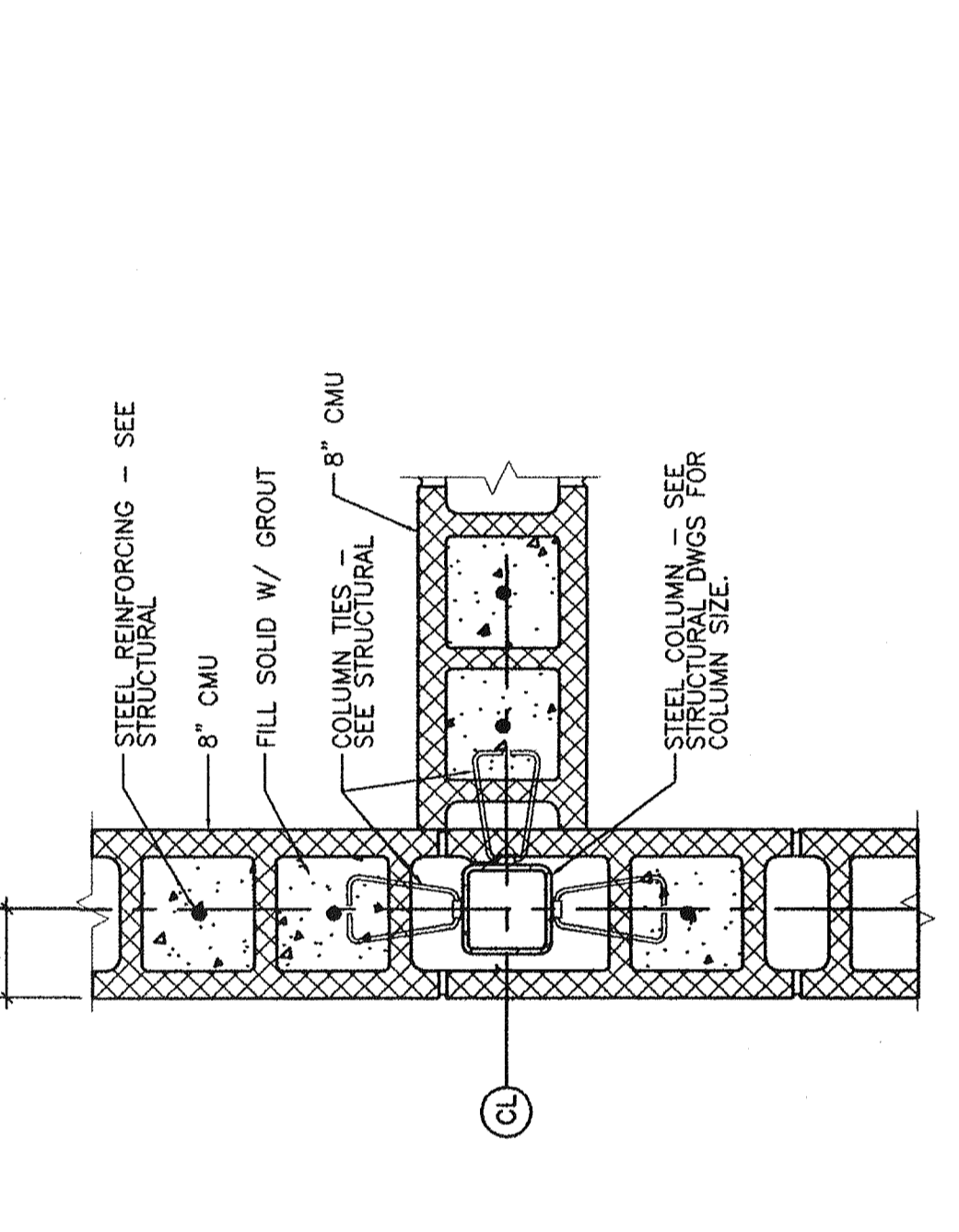
9. 1 HR CMU TO ROOF DECK



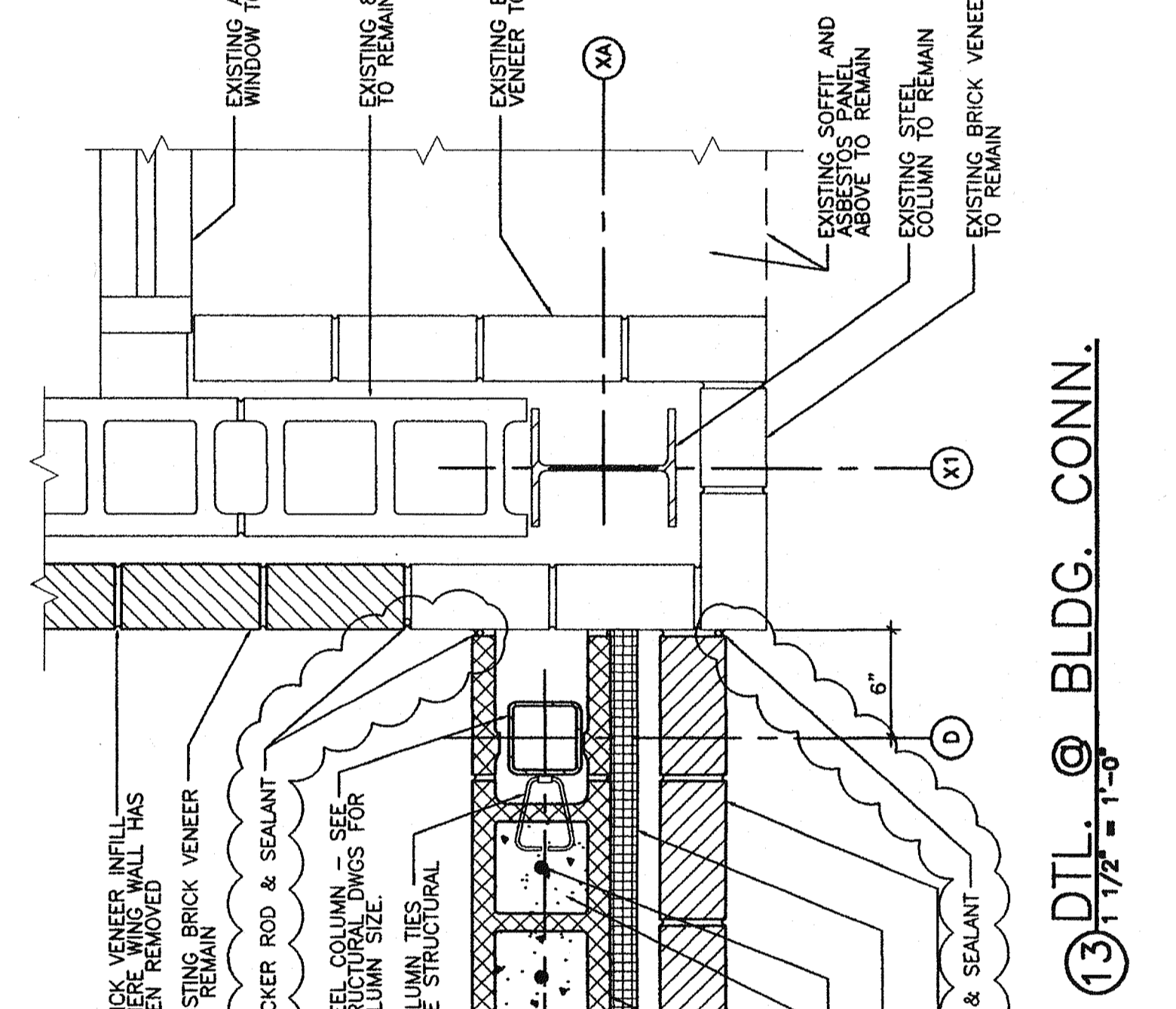
10. NR CMU SMOKE @ EX. DECK



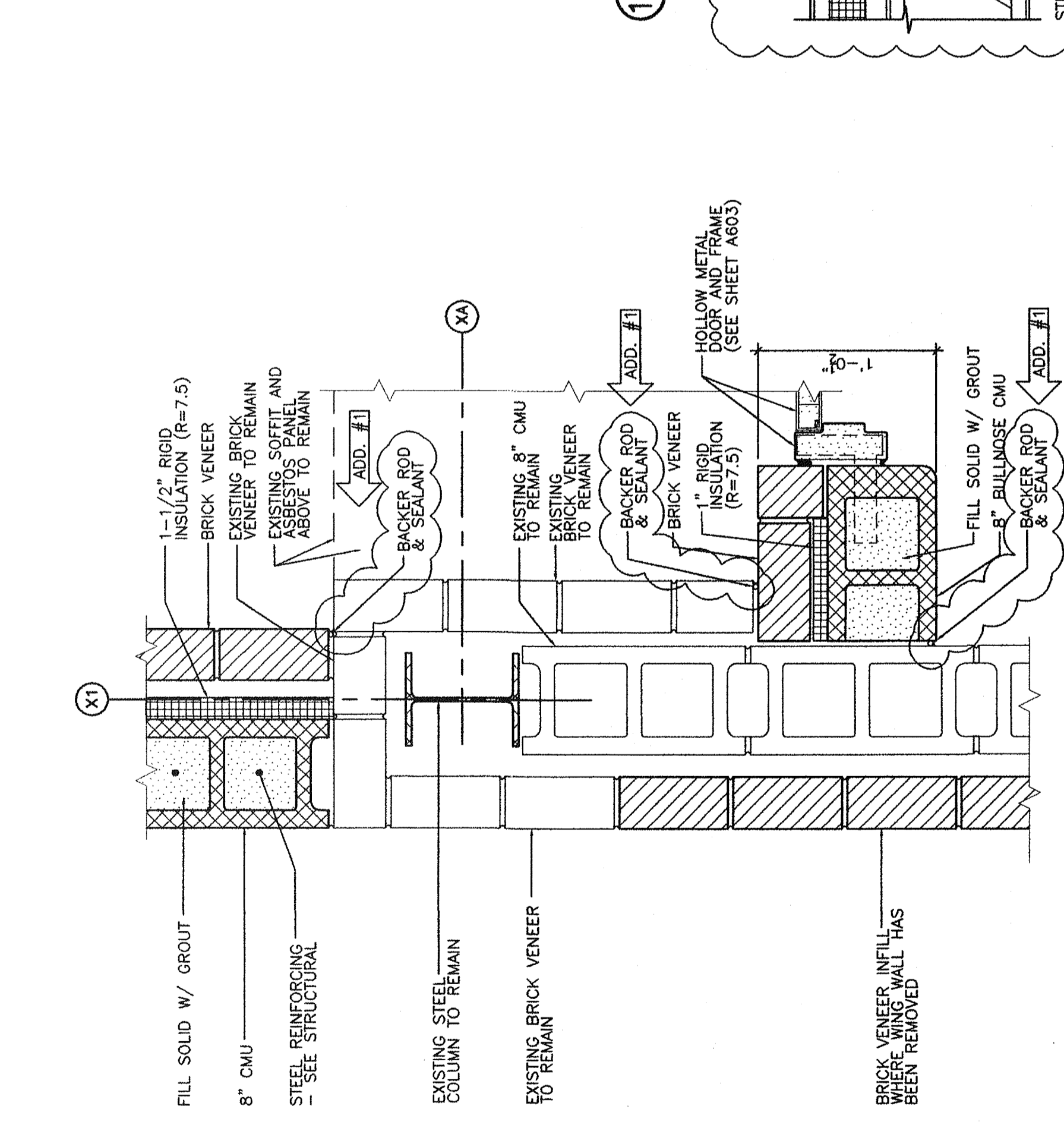
11. NR-1HR CMU @ BEAM



12. TYP. INTERIOR COLUMN DETAIL



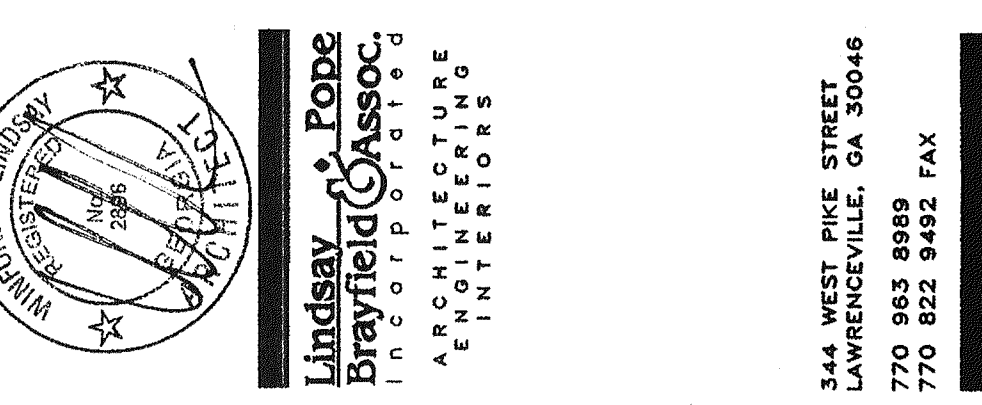
13. DTL @ BLDG. CONN.



14. DETAIL @ BLDG. CONN.

GENERAL SHEET NOTES:

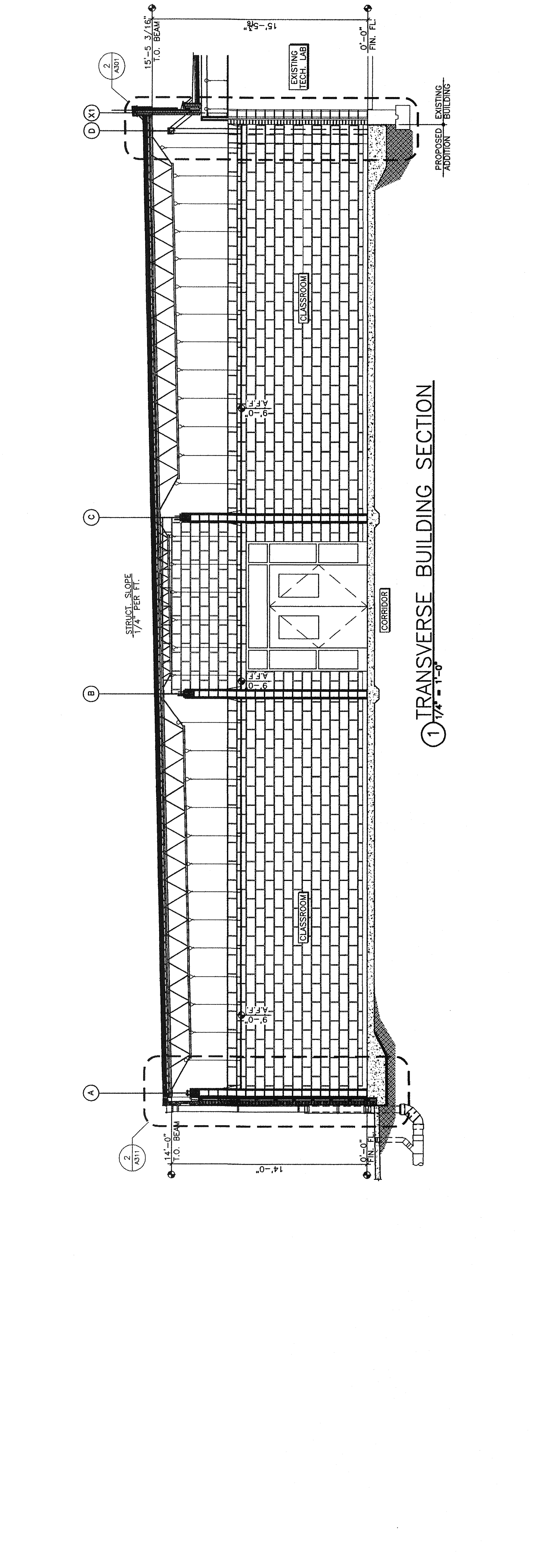
1. LEAVE FLASHING TO PROVE THAT PARAPET FLASHING WHEN EXTERIOR BRICK VENEER SHALL BE ONE BRICK COURSE ABOVE FRAME OR INTERIOR BRICK VENEER SHALL BE ONE BRICK COURSE BELOW FRAME. INTERIOR BRICK VENEER SHALL BE ONE BRICK COURSE FROM WALL.
2. USE NO COMBUSTIBLE MATERIALS IN CEILING SPACES THAT ARE RETURN AIR PLenums. RETURN AIRWAYS SHALL EXTEND FROM THE FLOOR TO THE CEILING. ALL RETURN AIRWAYS SHALL BE INSULATED WITH 1" POLYURETHANE INSULATION. ALL RETURN AIRWAYS SHALL BE SEALED WITH APPROVED MATERIAL TO THREAT THE FREE PASSAGE OF AIR.
3. INSULATION MUST BE 450 MAX. R-VALUE. INSULATION MUST BE 25 MAX. R-VALUE.



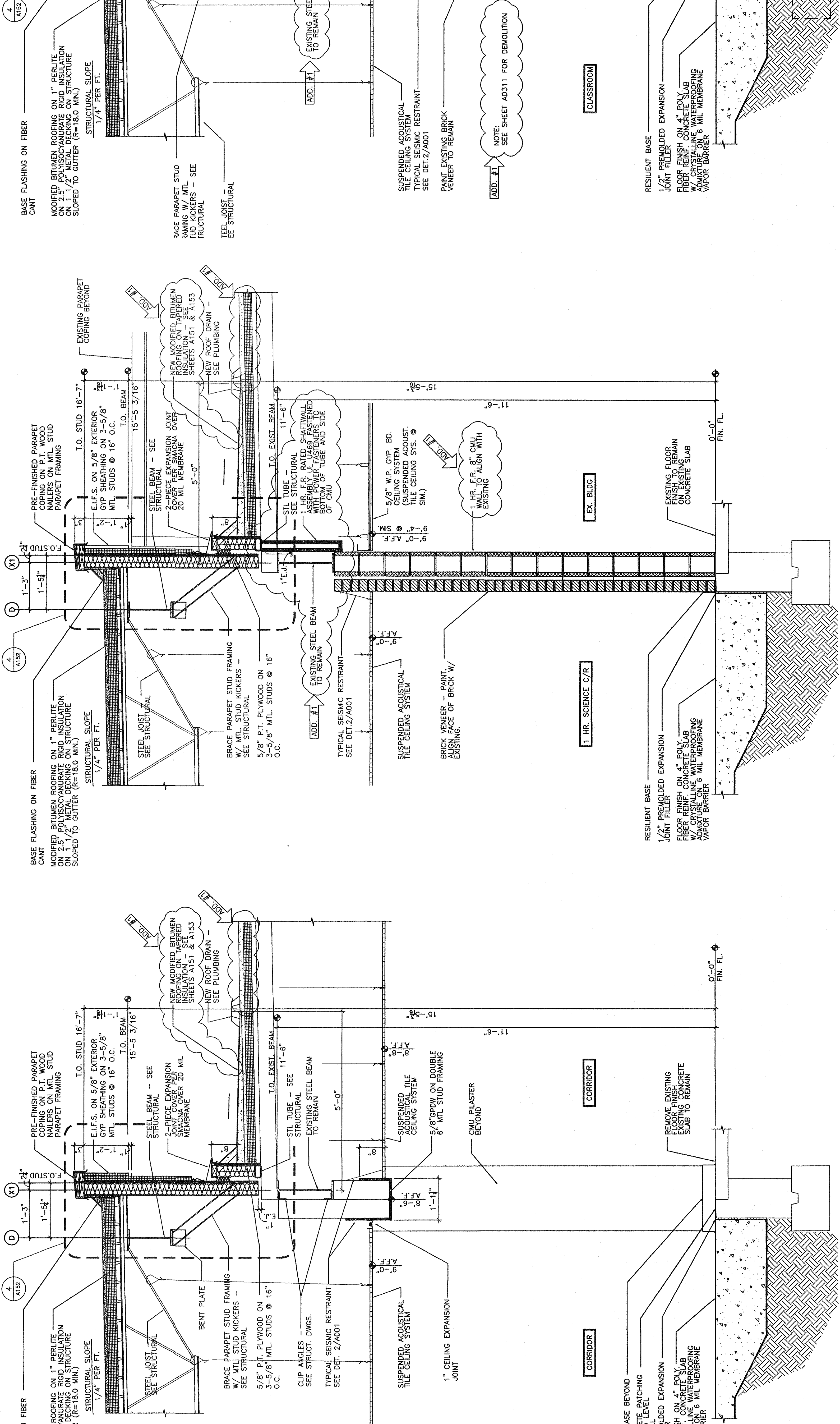
Lindsay Pope Associates, Inc.
ARCHITECTURE
INTERIORS

24 WEST AHE STREET
LAWRENCEVILLE, GA 30046
770 983 8889
770 822 9482 FAX

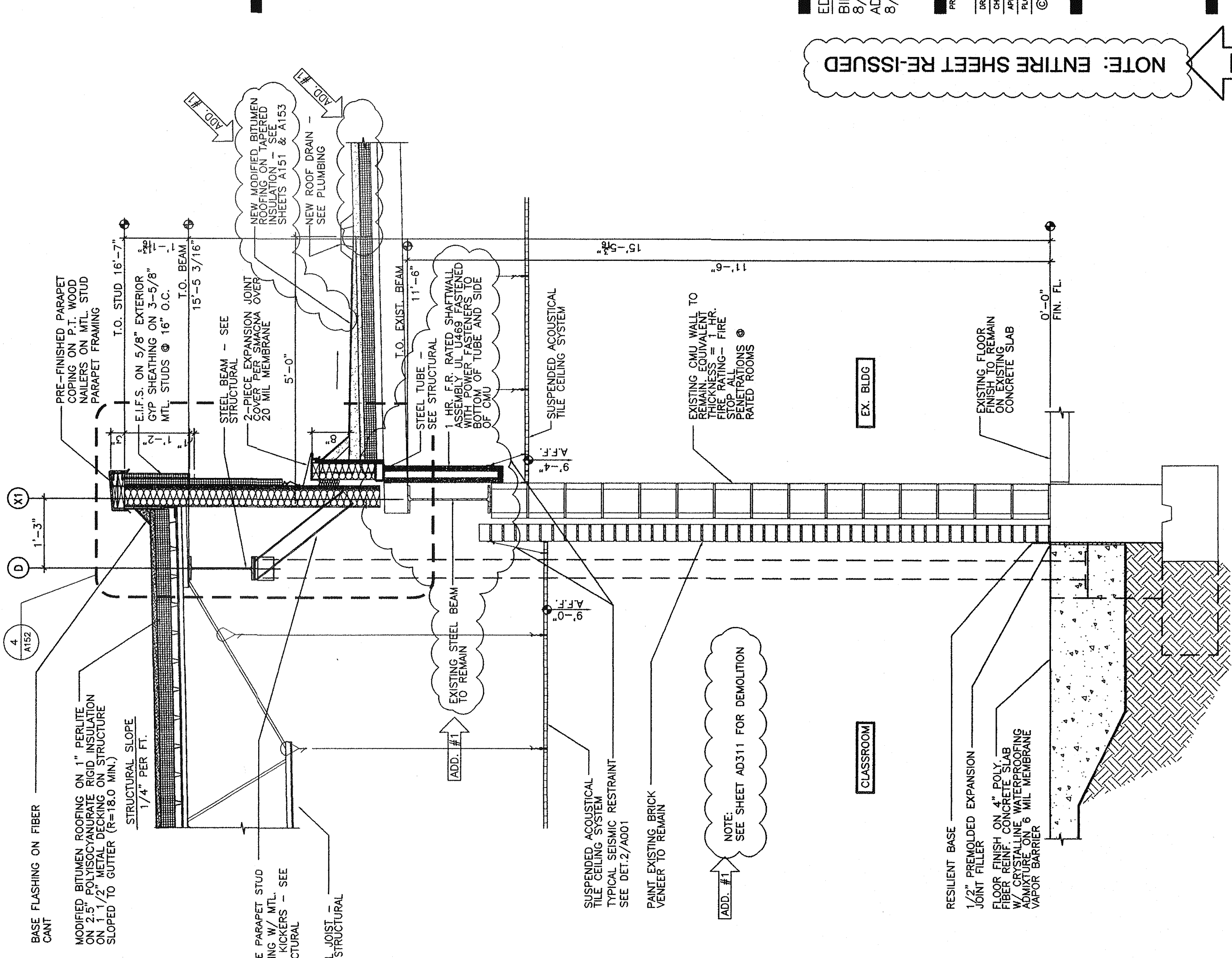
ROCKDALE COUNTY BOARD OF EDUCATION
954 NORTH MAIN STREET
CONYERS, GEORGIA 30012



1 TRANSVERSE BUILDING SECTION
17'-0" x 1'-0"



3 WALL SECTION THRU EXIST. OPENING
3'-0" x 1'-0"



2 WALL SECTION @ BLDG. CONN.
3'-0" x 1'-0"

HERITAGE HIGH SCHOOL
ADDITION AND RENOVATIONS
2400 GRANMADE ROAD
CONYERS, GEORGIA 30094

EDITION
BIDDING 8/4/2009
ADDENDUM #1 8/20/2009

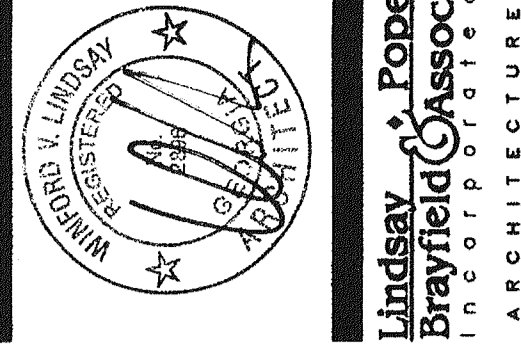
PROJECT NO. 208059
DRAWN BY: SP
CHECKED BY: BP
APPROVED BY: BP
DATE: 8/20/2009
LINDSAY POPE ASSOCIATES, INC.

BUILDING SECTION & WALL SECTIONS

A301

NOTE: ENTIRE SHEET RE-ISSUED

4 WALL SECTION THRU CONNECTOR
3'-0" x 1'-0"



Lindsay Pope
Construction
INCORPORATED
ENGINEERING
INTERIORS

344 WEST PINE STREET
LAWRENCEVILLE, GA 30046
770 963 8889
770 822 8482 FAX

ROCKDALE COUNTY BOARD OF EDUCATION
964 NORTH MAIN STREET
CONYERS, GEORGIA 30012

HERITAGE HIGH SCHOOL
ADDITION AND RENOVATIONS
2400 GRANDE ROAD
CONYERS, GEORGIA 30094

EDITION
BIDDING
8/4/2009
REVISED #1
8/20/2009

FRAMER NO. 208059
DRAWN BY: JL
CHECKED BY: JH
DATE: 8/20/09

© 2009 HALL BROTHERS BIDDING
LINDSAY POPE CONSTRUCTION
& ASSOCIATES, INC.

DOOR SCHEDULE

NOTE: ENTIRE SHEET RE-ISSUED

ADD. #1

94

93

92

91

90

89

88

87

86

85

84

83

82

81

80

79

78

77

76

75

74

73

72

71

70

69

68

67

66

65

64

63

62

61

60

59

58

57

56

55

54

53

52

51

50

49

48

47

46

45

44

43

42

41

40

39

38

37

36

35

34

33

32

31

30

29

28

27

26

25

24

23

22

21

20

19

18

17

16

15

14

13

12

11

10

9

8

7

6

5

4

3

2

1

DR NO

LOCATION

FIRE RTG

DR NO

LOCATION

FIRE RTG

DR NO

LOCATION

FIRE RTG

DR NO

LOCATION

FIRE RTG

DR NO

LOCATION

FIRE RTG

DR NO

LOCATION

FIRE RTG

DR NO

LOCATION

FIRE RTG

DR NO

LOCATION

FIRE RTG

DR NO

LOCATION

FIRE RTG

DR NO

LOCATION

FIRE RTG

DR NO

LOCATION

FIRE RTG

DR NO

LOCATION

FIRE RTG

DR NO

LOCATION

FIRE RTG

DR NO

LOCATION

FIRE RTG

DR NO

LOCATION

FIRE RTG

DR NO

LOCATION

FIRE RTG

DR NO

LOCATION

FIRE RTG

DR NO

LOCATION

FIRE RTG

DR NO

LOCATION

FIRE RTG

DR NO

LOCATION

FIRE RTG

DR NO

LOCATION

FIRE RTG

DR NO

LOCATION

FIRE RTG

DR NO

LOCATION

FIRE RTG

DR NO

LOCATION

FIRE RTG

DR NO

LOCATION

FIRE RTG

DR NO

LOCATION

FIRE RTG

DR NO

LOCATION

FIRE RTG

DR NO

LOCATION

FIRE RTG

DR NO

LOCATION

FIRE RTG

DR NO

LOCATION

FIRE RTG

DR NO

LOCATION

FIRE RTG

DR NO

LOCATION

FIRE RTG

DR NO

LOCATION

FIRE RTG

DR NO

LOCATION

FIRE RTG

DR NO

LOCATION

FIRE RTG

DR NO

LOCATION

FIRE RTG

DR NO

LOCATION

FIRE RTG

DR NO

LOCATION

FIRE RTG

DR NO

LOCATION

FIRE RTG

DR NO

LOCATION

FIRE RTG

DR NO

LOCATION

FIRE RTG

DR NO

LOCATION

FIRE RTG

DR NO

LOCATION

FIRE RTG

DR NO

LOCATION

FIRE RTG

DR NO

LOCATION

FIRE RTG

DR NO

LOCATION

FIRE RTG

DR NO

LOCATION

FIRE RTG

DR NO

LOCATION

FIRE RTG

DR NO

LOCATION

FIRE RTG

DR NO

LOCATION

FIRE RTG

DR NO

LOCATION

FIRE RTG

DR NO

LOCATION

FIRE RTG

DR NO

LOCATION

FIRE RTG

DR NO

LOCATION

FIRE RTG

DR NO

LOCATION

FIRE RTG

DR NO

LOCATION

FIRE RTG

DR NO

LOCATION

FIRE RTG

DR NO

LOCATION

FIRE RTG

DR NO

LOCATION

FIRE RTG

DR NO

LOCATION

FIRE RTG

DR NO

LOCATION

FIRE RTG

DR NO

LOCATION

FIRE RTG

DR NO

LOCATION

FIRE RTG

DR NO

LOCATION

FIRE RTG

DR NO

LOCATION

FIRE RTG

DR NO

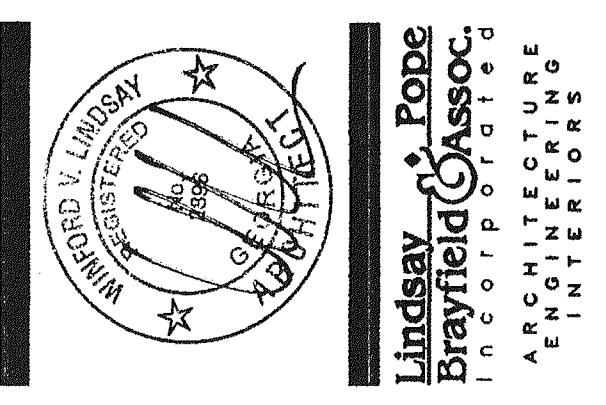
LOCATION

FIRE RTG

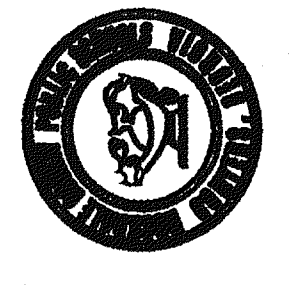
DR NO

LOCATION

FIRE RTG



Lindsay Pope
 Architectural
 Interiors



ROCKDALE COUNTY BOARD OF EDUCATION
 954 NORTH MAIN STREET
 CONYERS, GEORGIA 30012

HERITAGE HIGH SCHOOL
 ADDITION AND RENOVATIONS
 2400 GRANADE ROAD
 CONYERS, GEORGIA 30094

EDITION
 BIDDING
 8/4/2009
 ADDENDUM #1
 8/20/2009

PROJECT NO. 208059

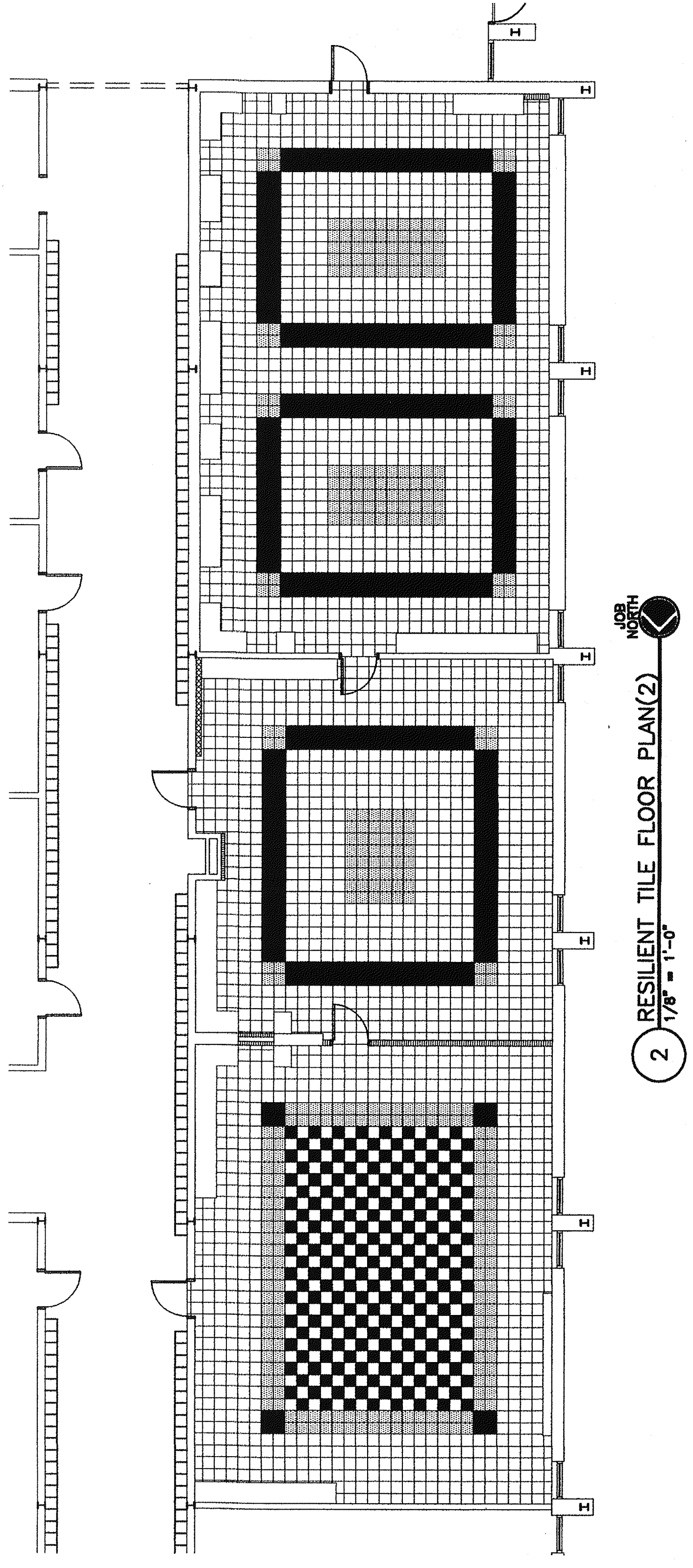
DRAWN BY: SL
 CHECKED BY: BP
 APPROVED BY: BP
 PLOT DATE: 8/20/2009

© 2009 ALL RIGHTS RESERVED
 LINDSAY POPE ARCHITECTURAL
 INTERIORS, INC.

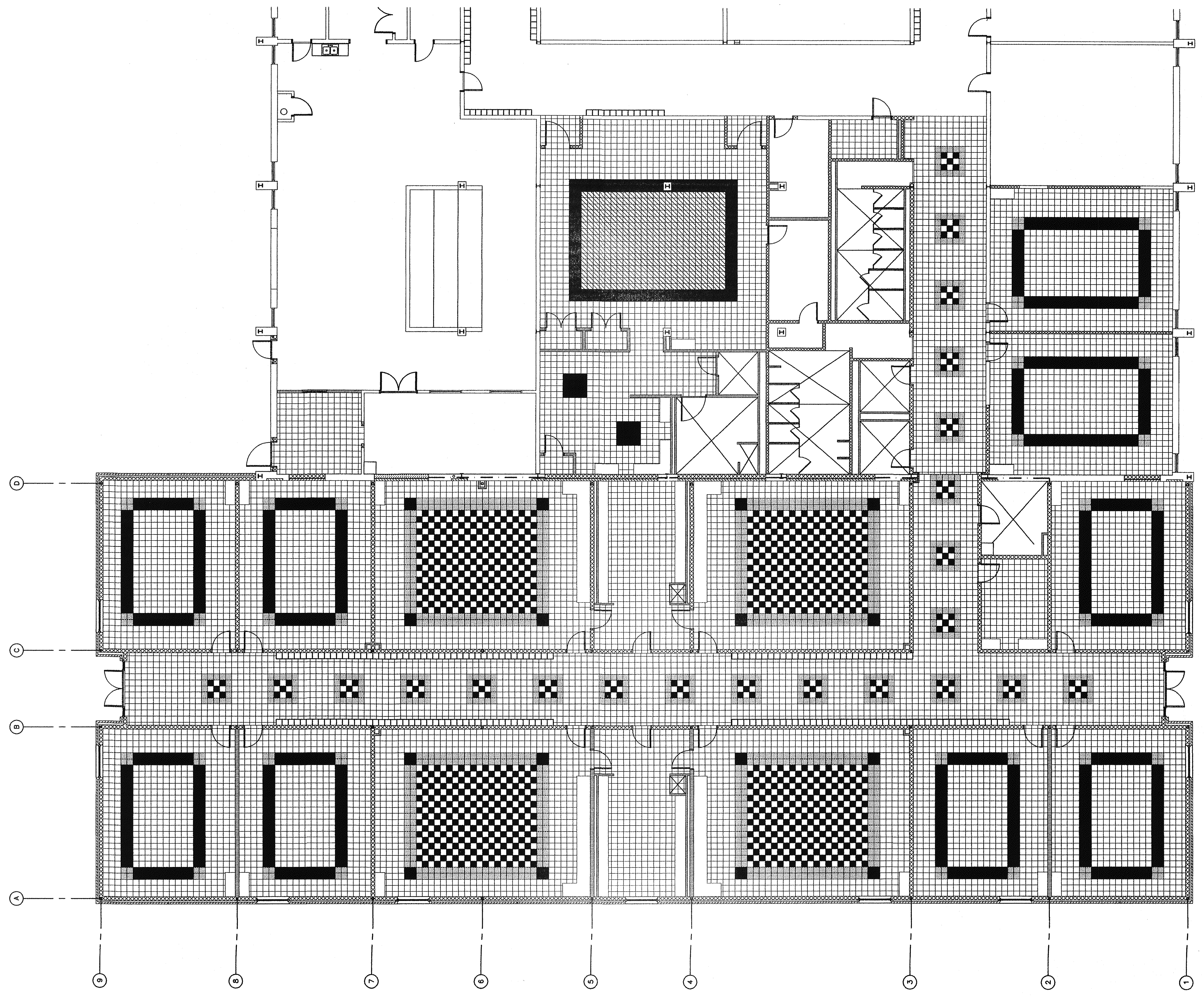
RESILIENT
 TILE FLOOR
 PLANS

A801

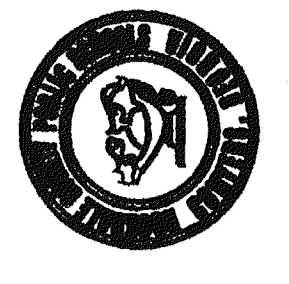
NOTE: ENTIRE SHEET RE-ISSUED
 ADD. #1



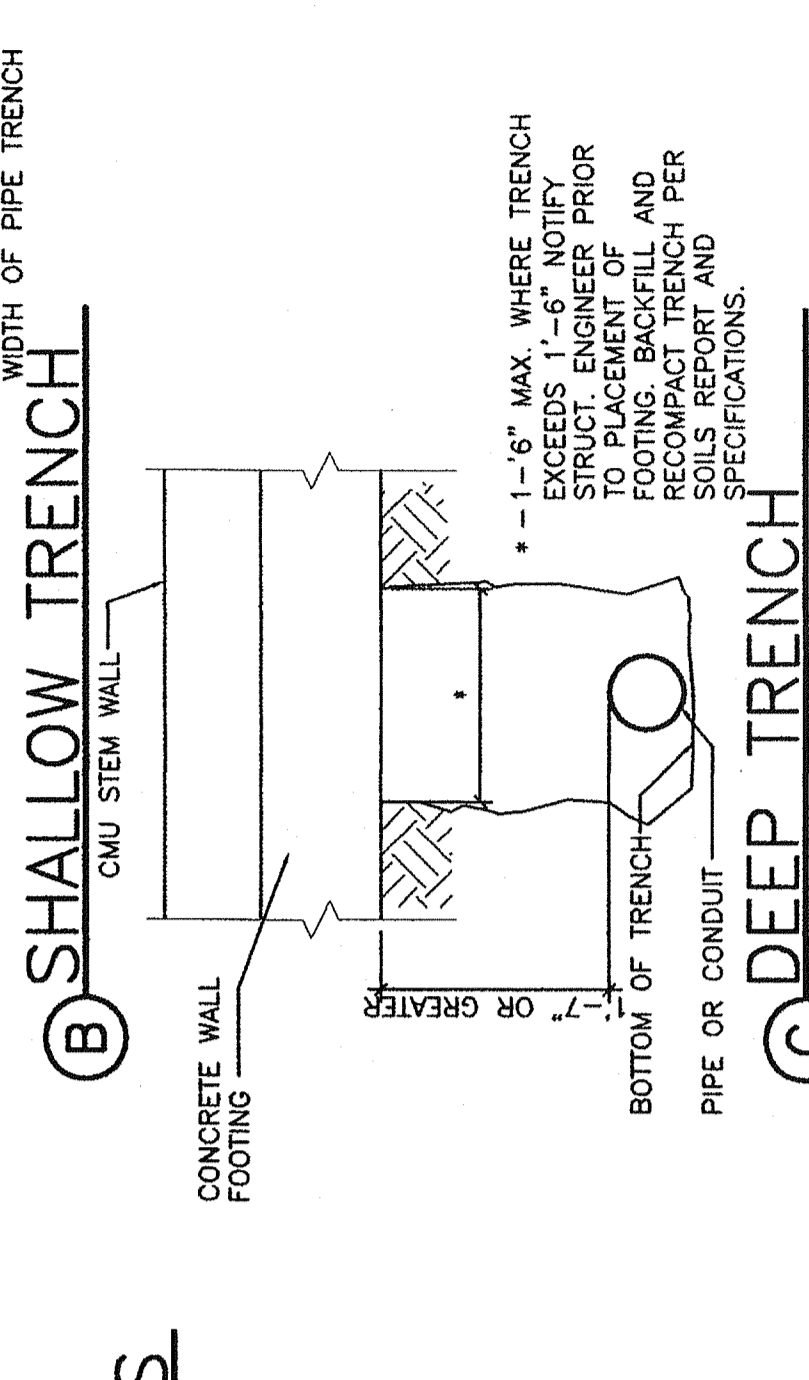
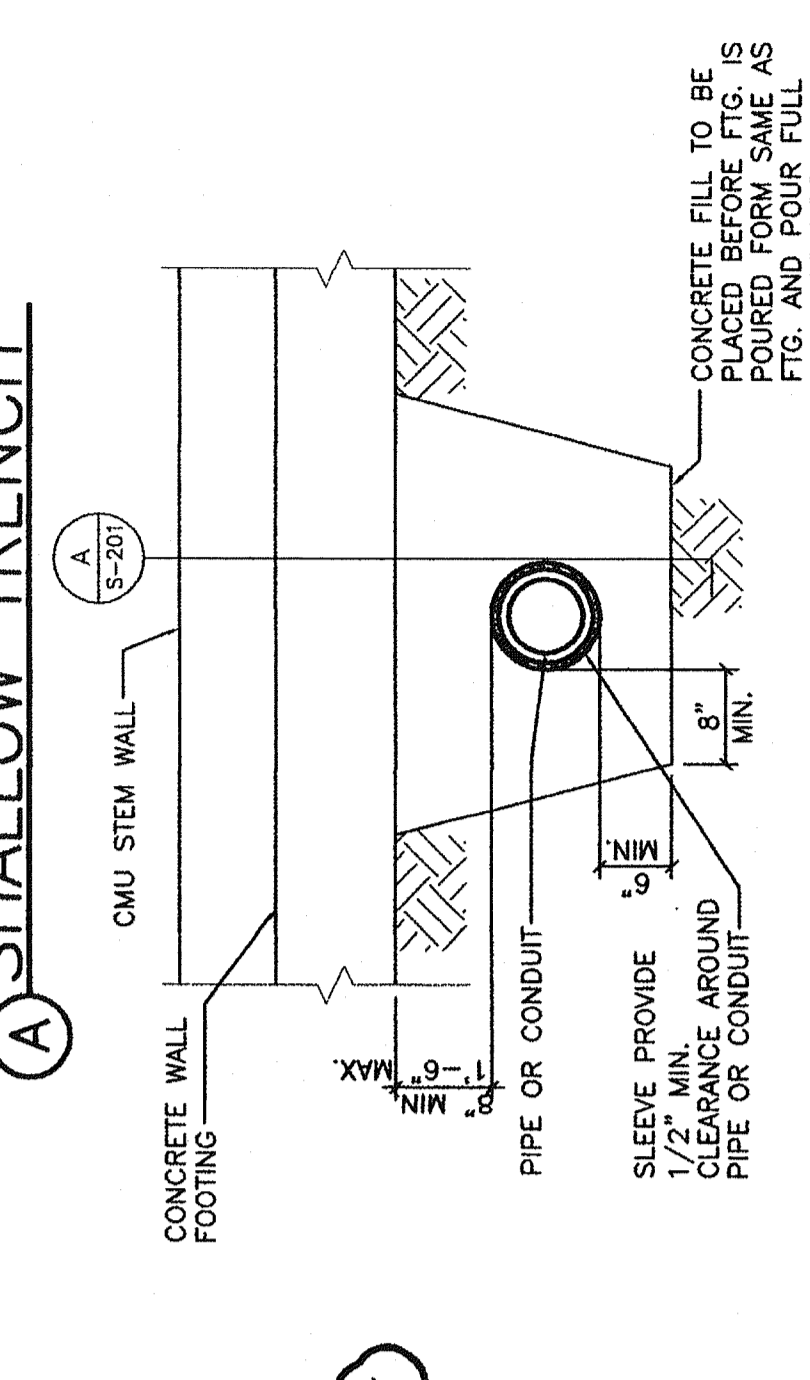
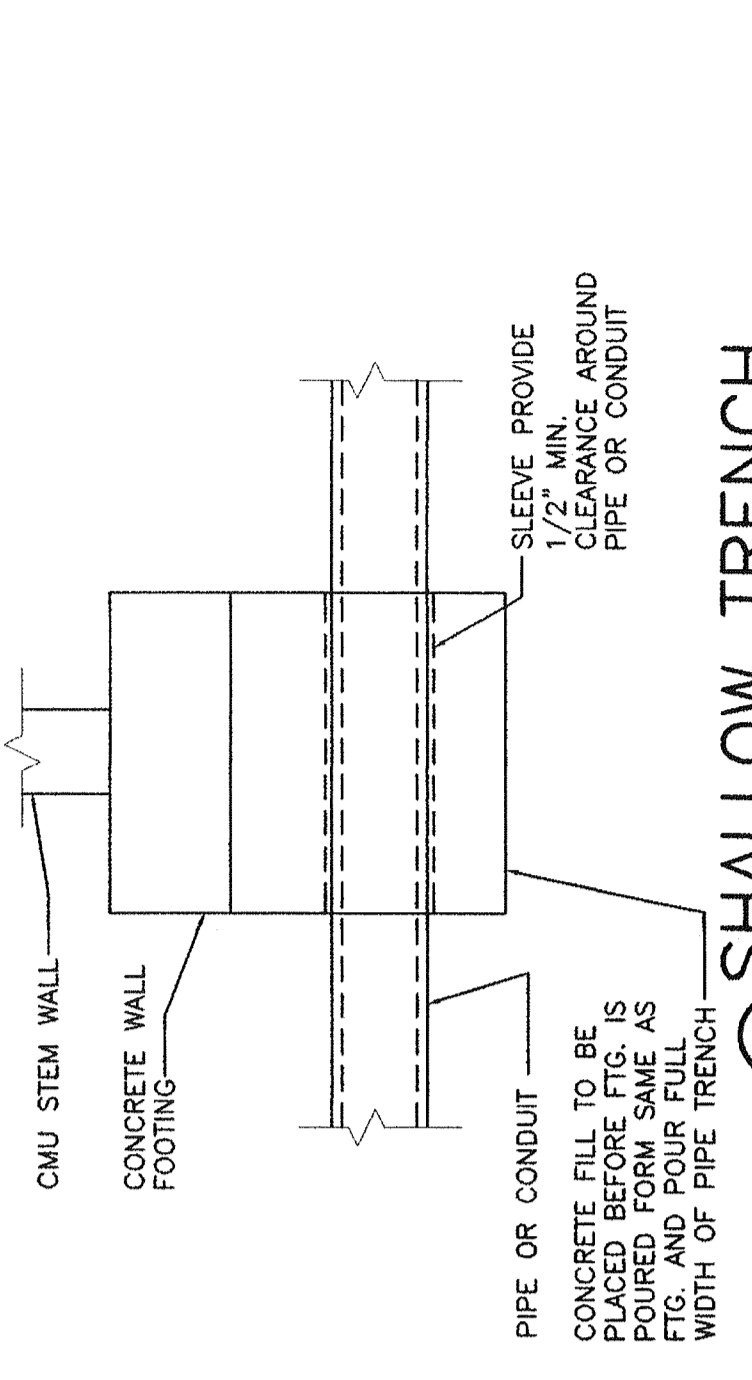
COLOR LEGEND	
VCT	
	COLOR #1
	COLOR #2
	COLOR #3
	COLOR #4



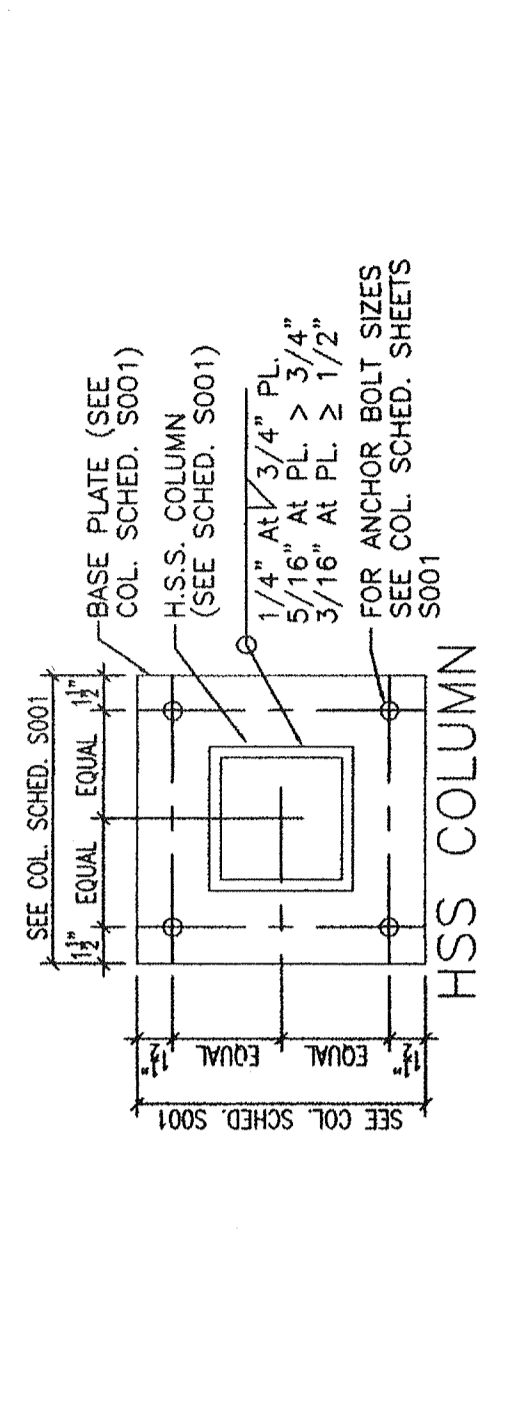
1 RESILIENT TILE FLOOR PLAN
 1/8" = 1'-0"



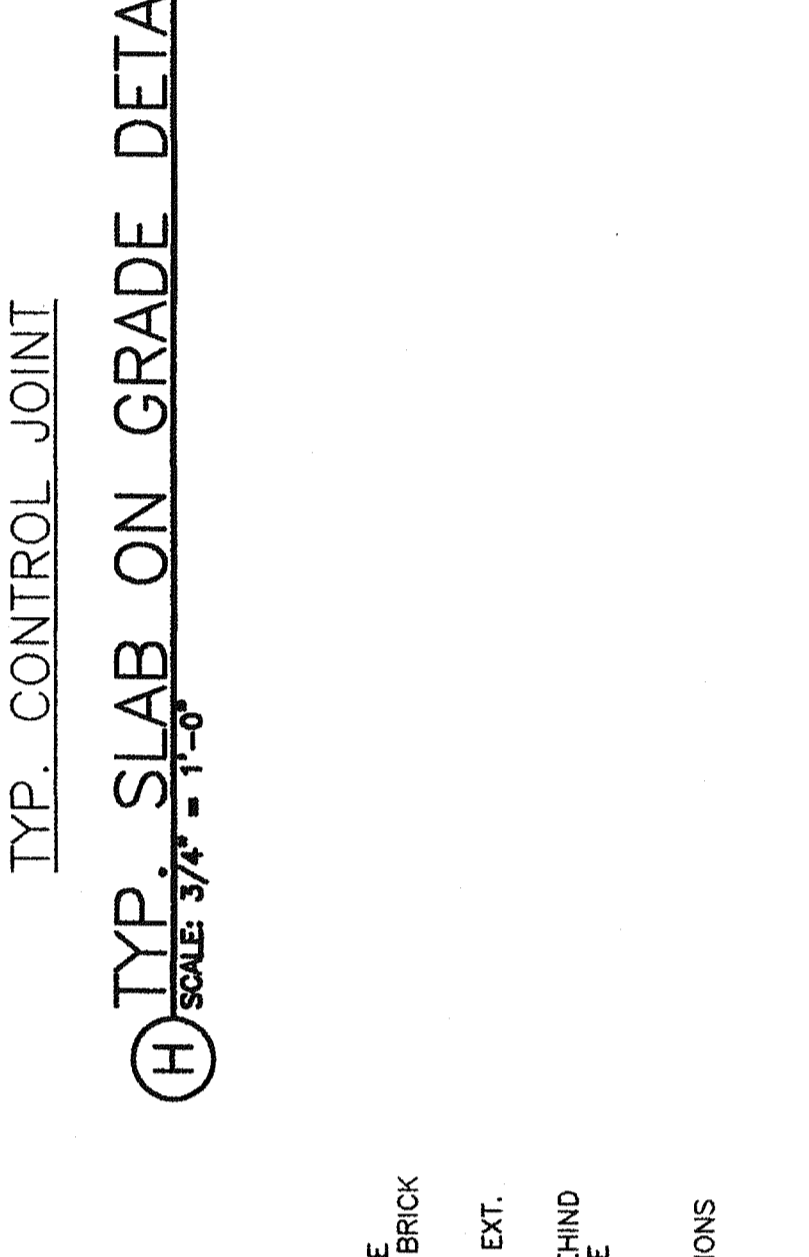
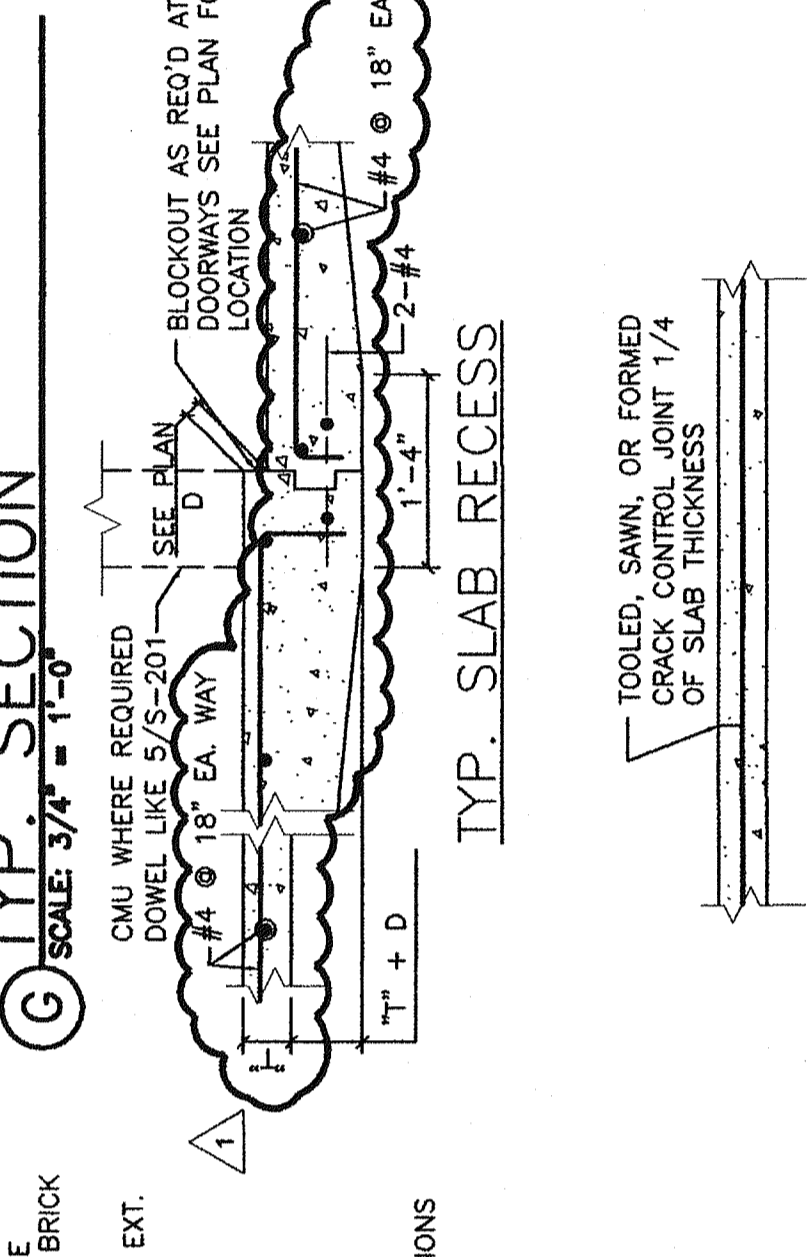
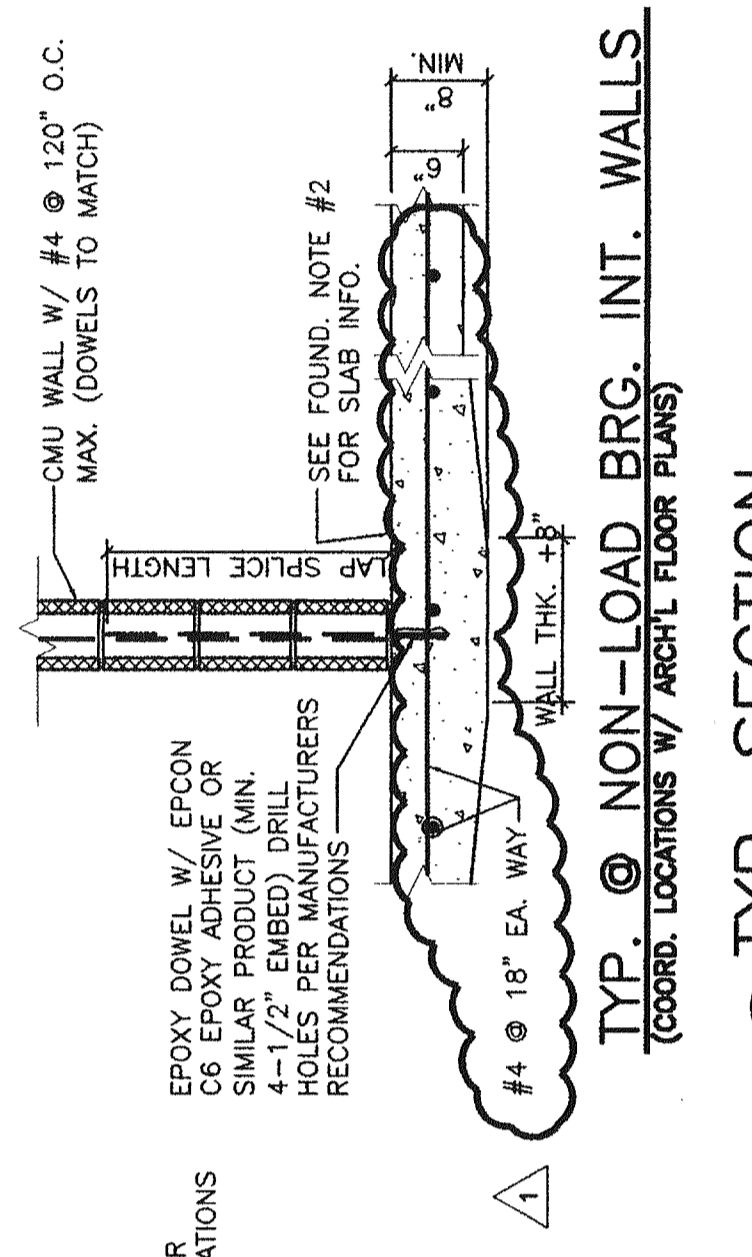
NOTE: ENTIRE SHEET RE-ISSUED



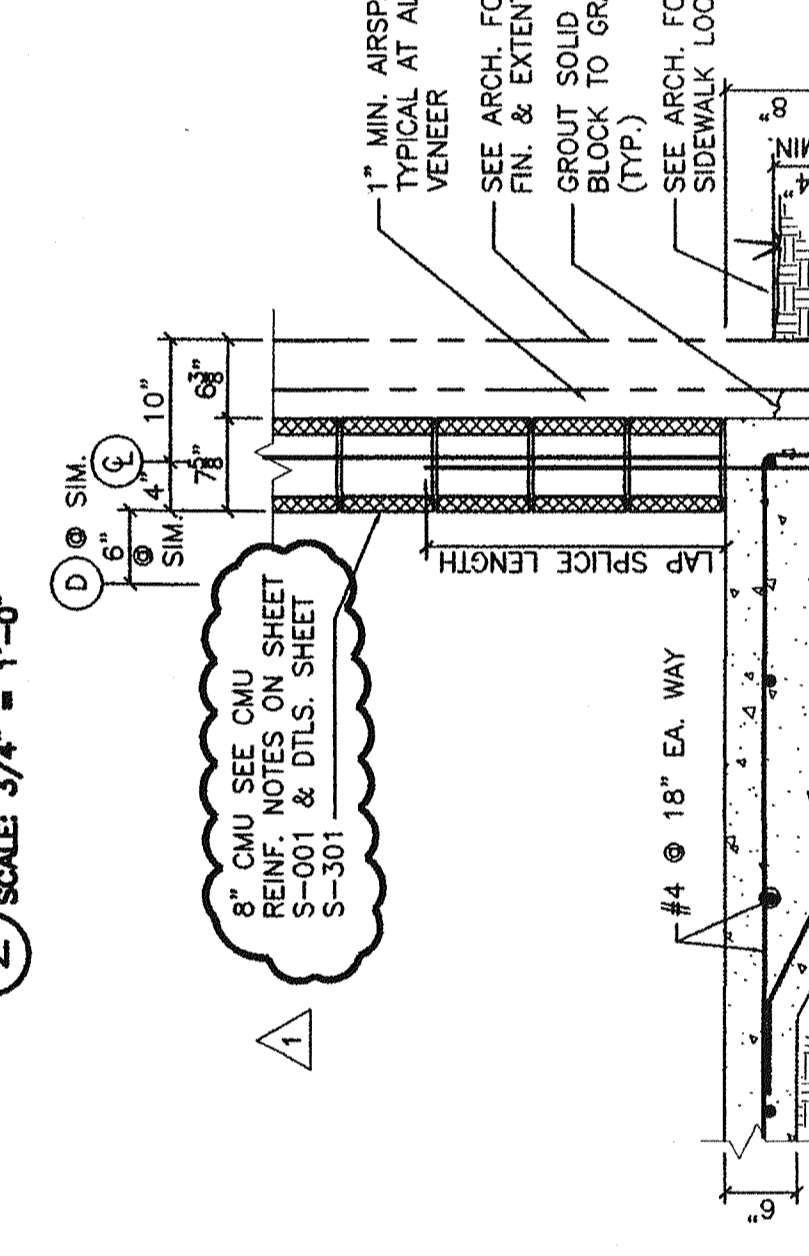
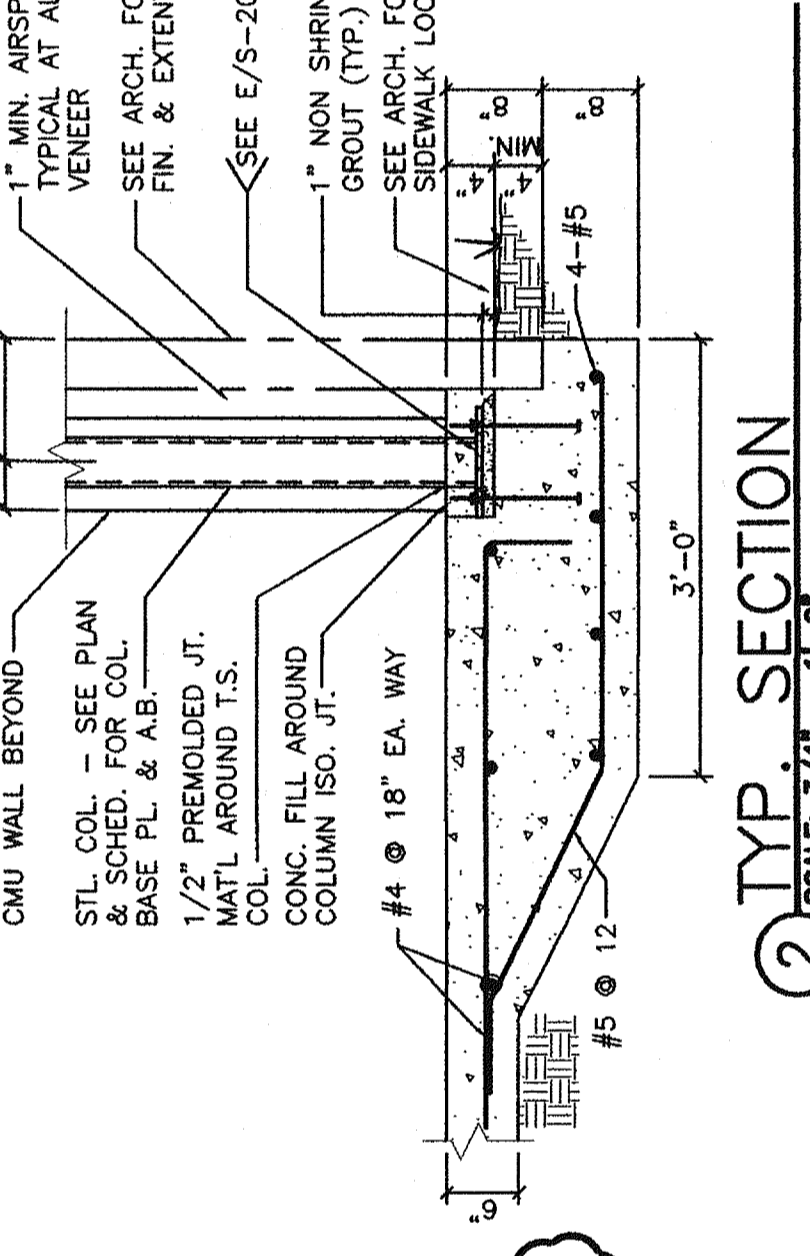
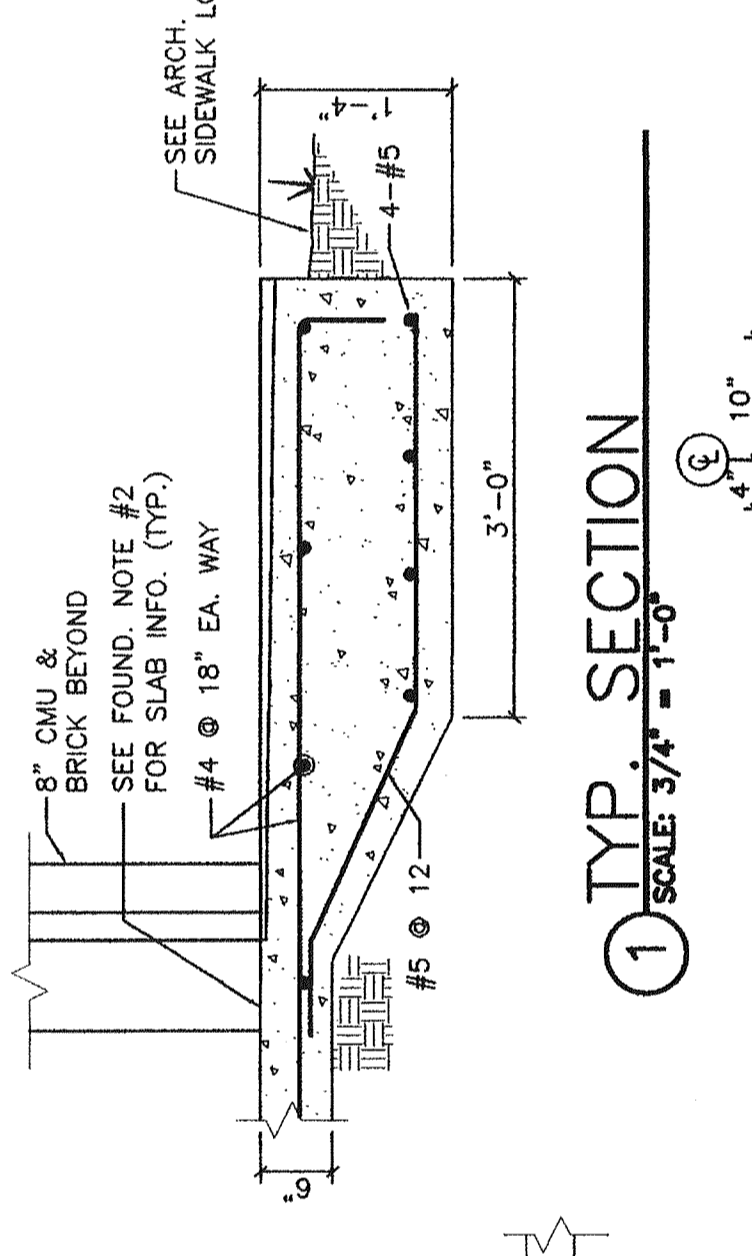
PIPE PASSING UNDER WALL FOOTING
NOTE: NO PIPE SHALL PASS THRU FOOTINGS OR UNDER COLUMN FOOTINGS (DITLS A, B & C)



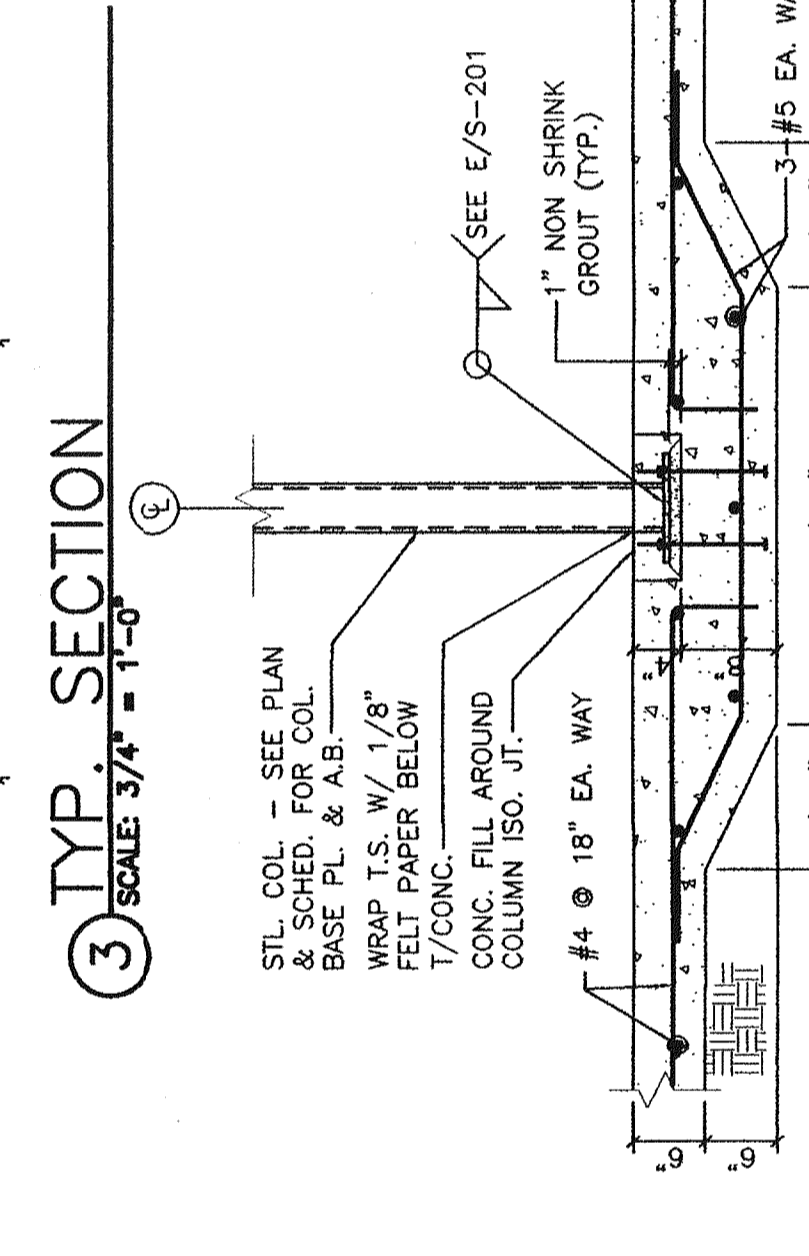
COL. BASE PLATE & ANCHOR
BOLT LAYOUT DETAILS
SCALE: 1/4\"/>



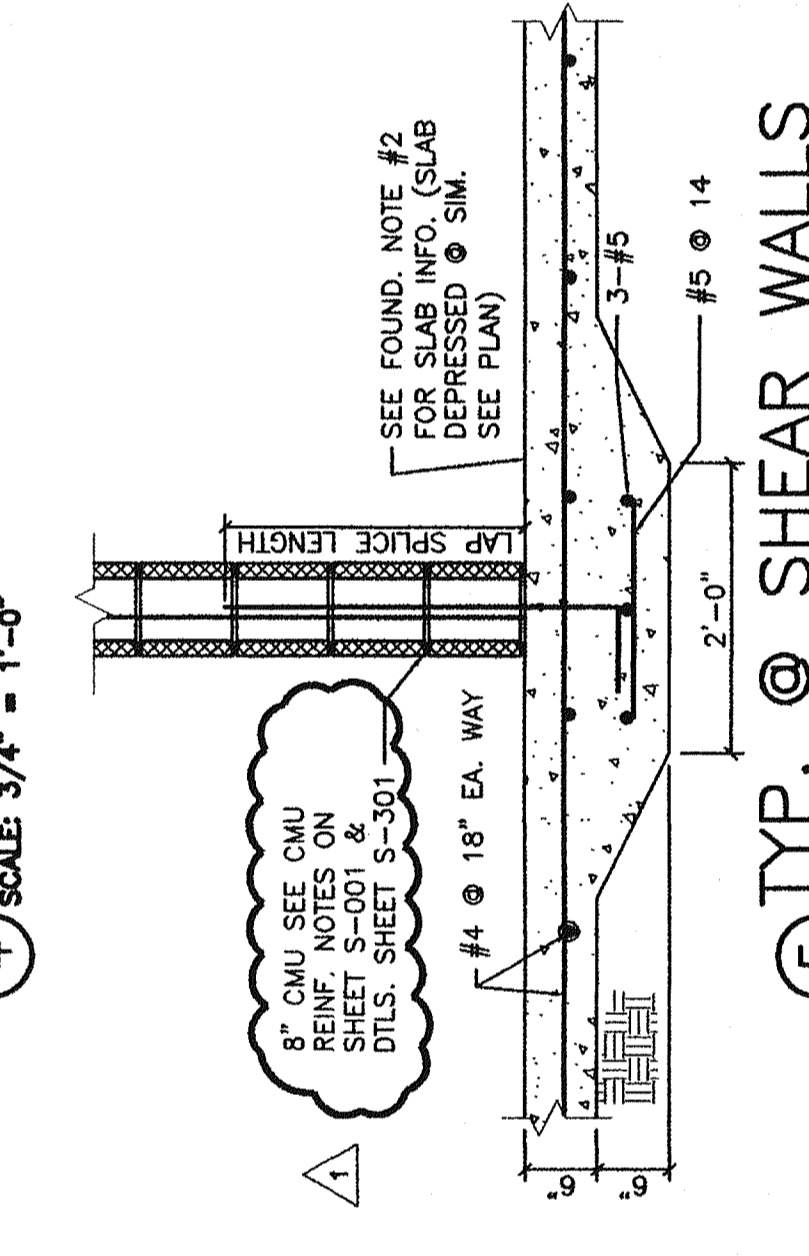
TYP. SLAB ON GRADE DETAILS
SCALE: 3/4\"/>



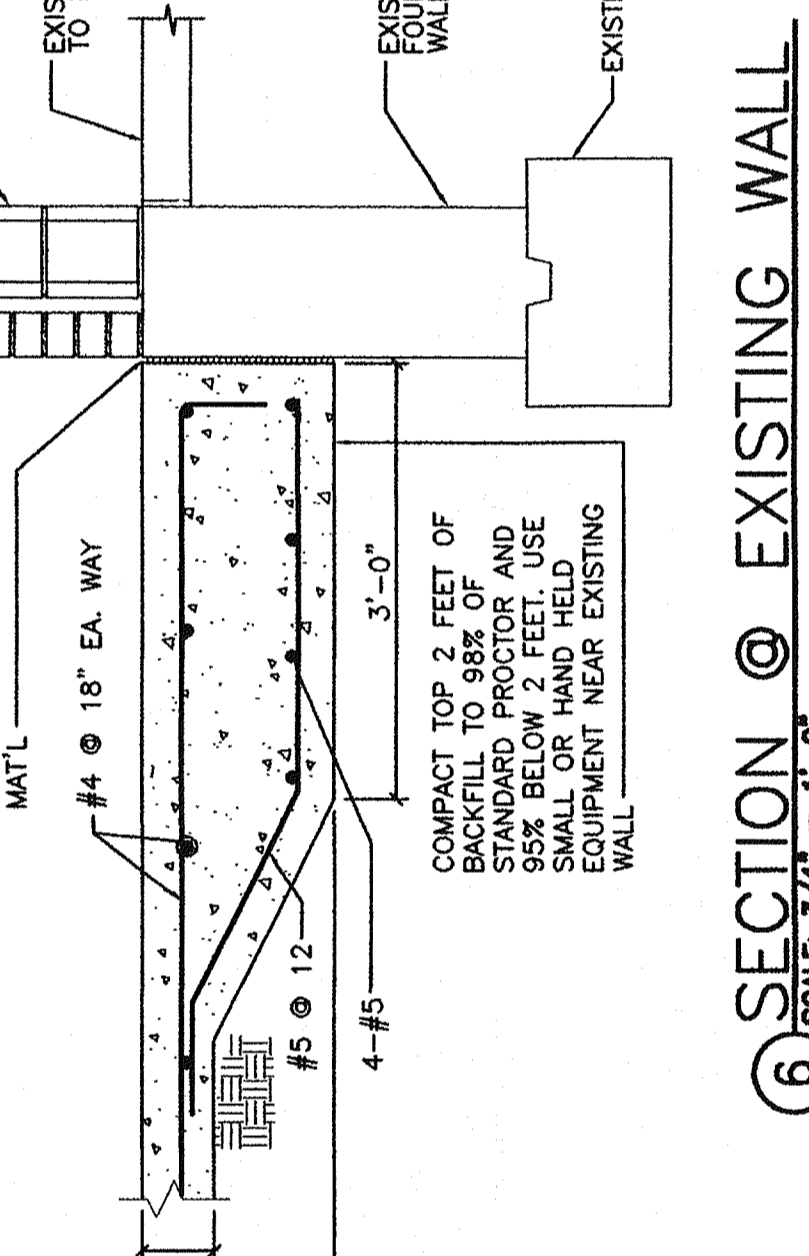
TYP. SECTION
SCALE: 3/4\"/>



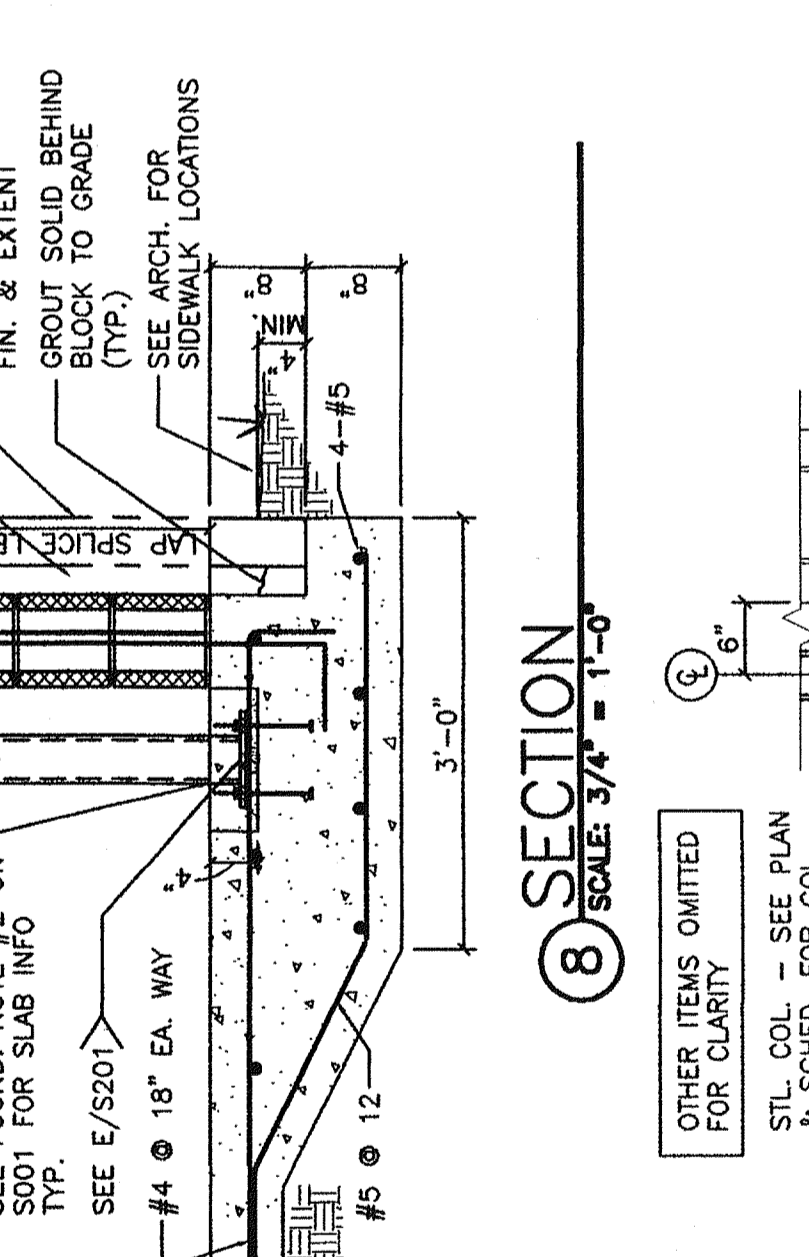
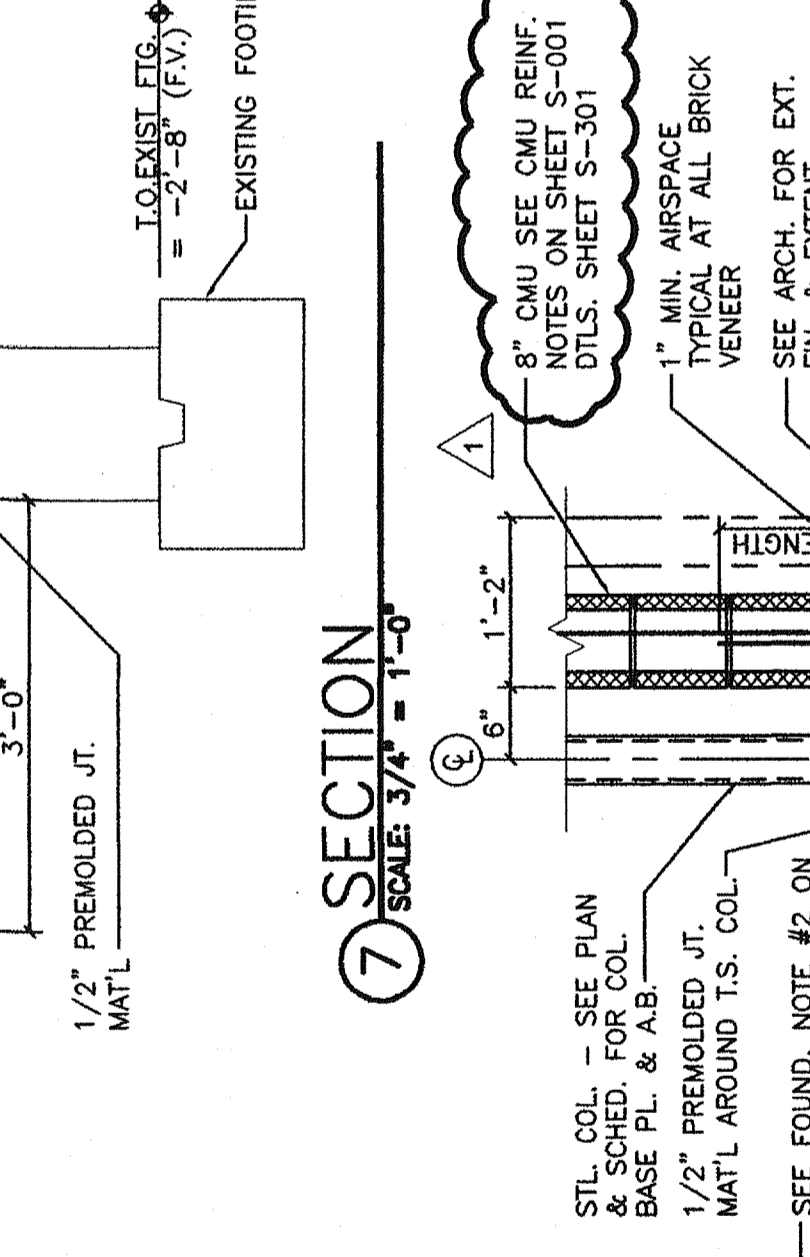
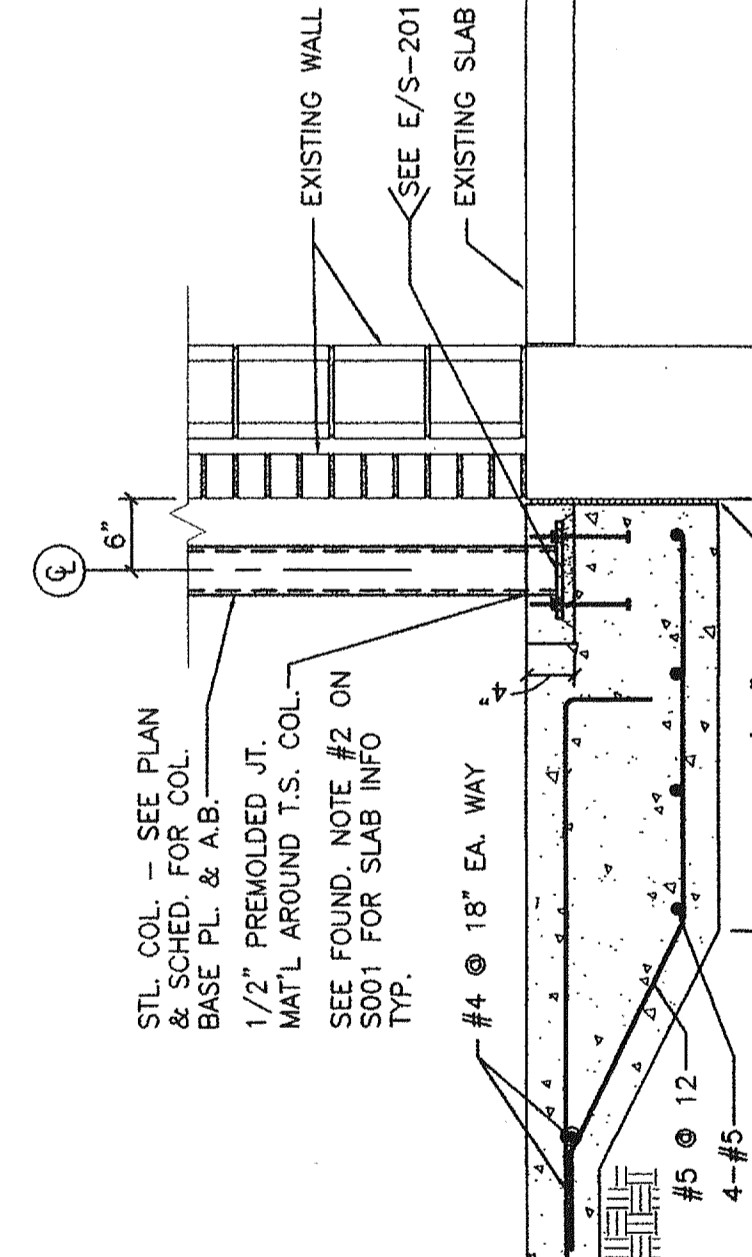
TYP. SECTION
SCALE: 3/4\"/>



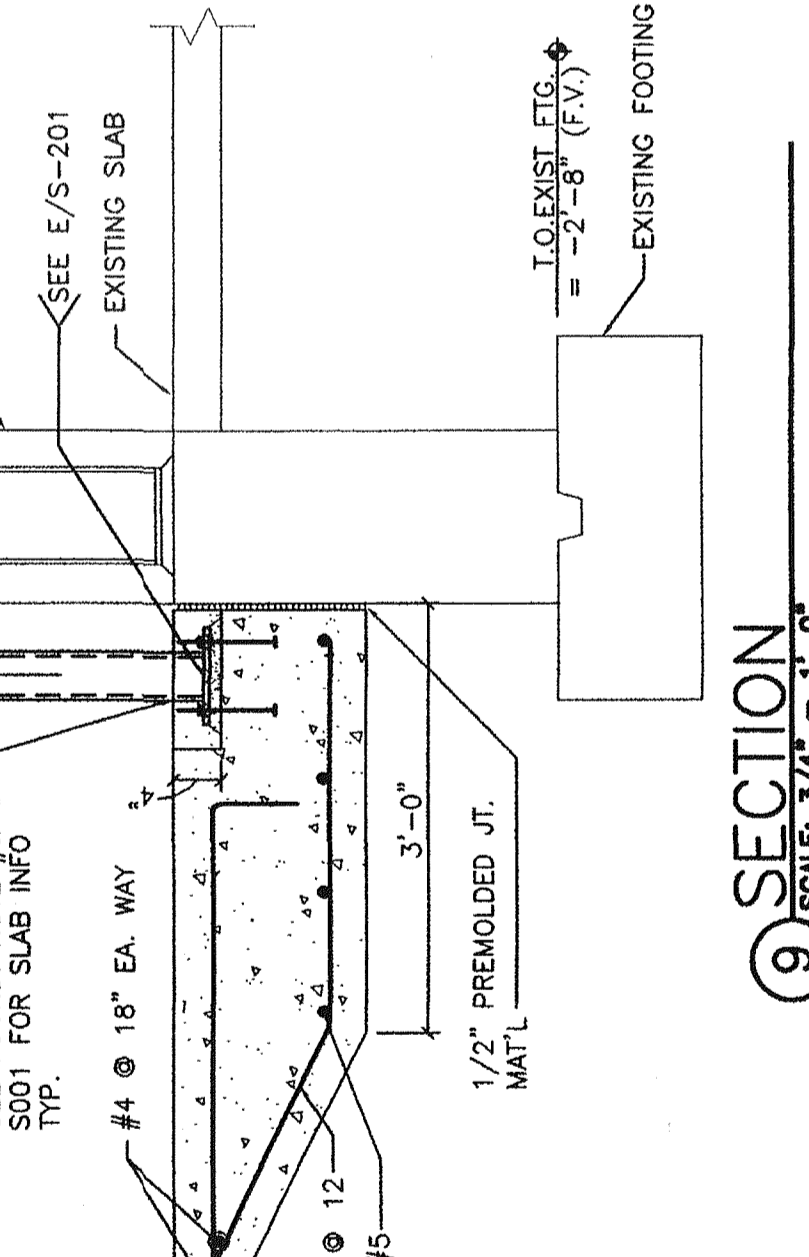
TYP. SECTION @ SHEAR WALLS
SCALE: 3/4\"/>



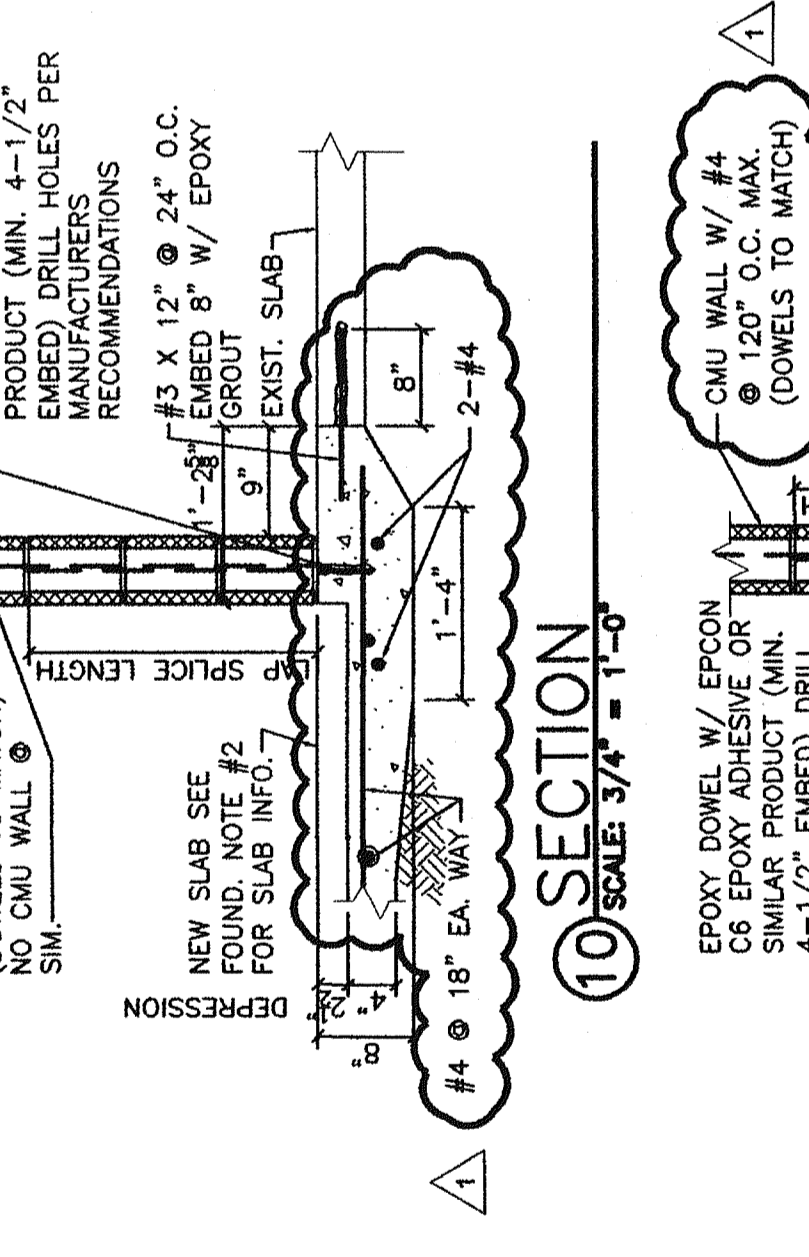
SECTION @ EXISTING WALL
SCALE: 3/4\"/>



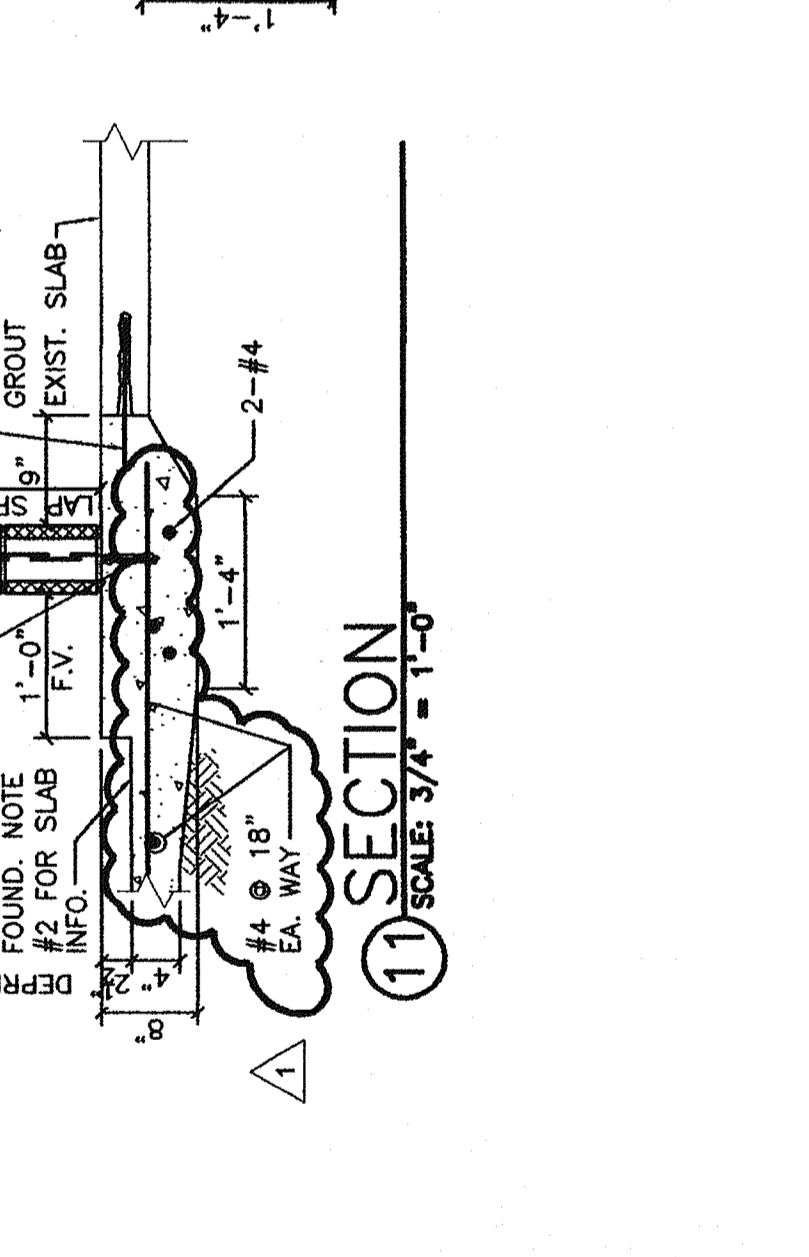
SECTION
SCALE: 3/4\"/>



SECTION
SCALE: 3/4\"/>



SECTION
SCALE: 3/4\"/>



SECTION
SCALE: 3/4\"/>

